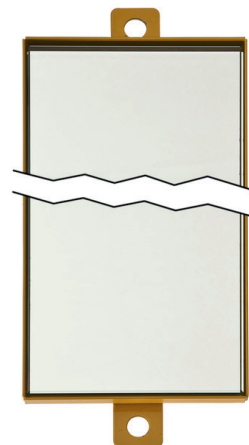


AO000236

ACCESSORIES • DEFLECTION MIRRORS

accessories optical, Deflection mirror, 89x150mm, Overall length 150mm



MECHANICAL FEATURES

Height	150 mm
Overall length	150 mm
Type of accessory	Deflection mirror
Width	89 mm

Other

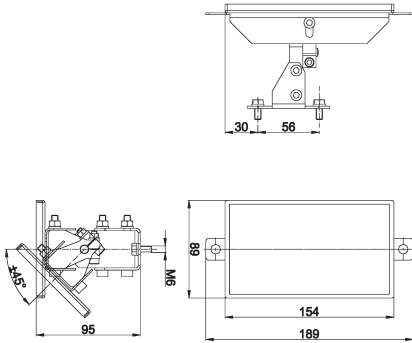
Packaging dimensions	180mm x 110mm x 298.0mm
Shipping weight	0.82kg
Tariff code	70099200

Classification

ipf product group	710
eClass 8.0	27279207
eClass 9.0	27273605
eClass 9.1	27273605
ETIM-5.0	EC002783
ETIM-6.0	EC002783
ETIM-7.0	EC002783

Connection

Dimensional drawing



Installation



Mounting / installation may only be carried out by a qualified electrician!

Disposal



Safety warnings

Before initial operation, please make sure to follow all safety instructions that may be provided in the product information. Never use these devices in applications where the safety of a person depends on their functionality. LED lighting systems can generate intensive UV radiation, which can damage your eyes in case of improper use. The manufacturer cannot be held responsible for damages that result from improper use or connection.