

AO000243

ACCESSORIES • MOUNTING

accessories optical, Mounting angle bracket, 35x24x30mm, Mounting material for sensor, brackets, Steel



MECHANICAL FEATURES

Height	5.5
Length	35 mm
Material	24 mm
Mounting type	Steel
Surface	Screwing
Version	Galvanized
Width	Mounting bracket
	29.7 mm

OTHER FEATURES

Scope of delivery	Mounting material for sensor, brackets
-------------------	--

Other

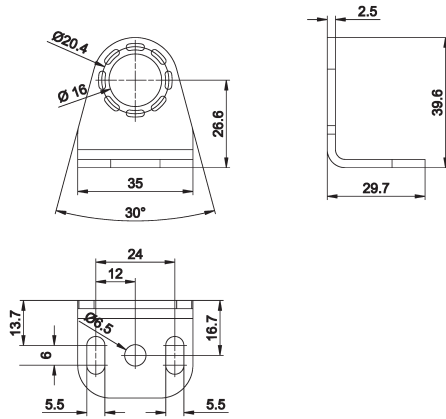
Packaging dimensions	100mm x 0.0mm x 150mm
Shipping weight	0.12kg
Tariff code	73269098

Classification

ipf product group	710
eClass 8.0	27279202
eClass 9.0	27273701
eClass 9.1	27273701
ETIM-5.0	EC002625
ETIM-6.0	EC002625
ETIM-7.0	EC002625

Connection

Dimensional drawing



Installation



Mounting / installation may only be carried out by a qualified electrician!

Disposal



Safety warnings

Before initial operation, please make sure to follow all safety instructions that may be provided in the product information. Never use these devices in applications where the safety of a person depends on their functionality. LED lighting systems can generate intensive UV radiation, which can damage your eyes in case of improper use. The manufacturer cannot be held responsible for damages that result from improper use or connection.