

## AY98A607

### ACCESSORIES • MOUNTING

accessories sensor, Teflon cap, Ø16mm 16long, inner thread 12, Polytetrafluorethylene (PTFE)



#### MECHANICAL FEATURES

Diameter	16 mm
Housing material	Polytetrafluorethylene (PTFE)
Length	16 mm
Metric thread size of internal hole	12
Thread pitch	1 mm
Type of mechanical accessories	Teflon cap

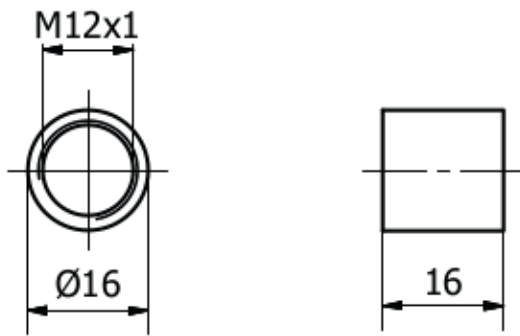
#### Other

Packaging dimensions	70mm x 17.0mm x 120mm
Shipping weight	0kg
Tariff code	39239000

#### Classification

ipf product group	700
eClass 8.0	27279202
eClass 9.0	27273701
eClass 9.1	27273701
ETIM-5.0	EC002024
ETIM-6.0	EC002024
ETIM-7.0	EC002024

#### Connection

**Dimensional drawing****Installation**

Mounting / installation may only be carried out by a qualified electrician!

**Disposal****Safety warnings**

Before initial operation, please make sure to follow all safety instructions that may be provided in the product information. Never use these devices in applications where the safety of a person depends on their functionality. LED lighting systems can generate intensive UV radiation, which can damage your eyes in case of improper use. The manufacturer cannot be held responsible for damages that result from improper use or connection.