

KY98E021 CAPACITIVE SENSORS • INTEGRATED BUTTON

sensor capacitive, push button, 59mm, Symbol "hand", 10-30V DC, -30°C, PNP NO, Cable with connector 4pin 0.2m, IP67, Plastic Anodized, With LED display



MECHANICAL FEATURES

Ambient temperature	-30 °C ... 70 °C
Button design	Flat
Cable length	0.2 m
Degree of protection (IP)	IP67
Design	Special construction
Front ring color	Other
Hole diameter	59 mm
Housing coating	Anodized
Housing material	Plastic
Lens design	Round
Max. tightening torque	1 Nm
Thread pitch	1 mm

ELECTRICAL FEATURES

No-load current	30 mA
Number of contacts as normally open contact	1
Number of pins	4
Rated control supply voltage U_s at DC	10 V ... 30 V
Rated switching current	400 mA
Reverse polarity protection	+
Scanning	+
Short-circuit protection	+
Suitable for illumination	+
Supply voltage of lamp	24 V
Switching function, latching	-
Type of electrical connection	Cable with connector
Type of switching function	Normally open contact
Type of switching output	PNP
Voltage drop	3 V
Voltage type	DC
With LED display	+

OTHER FEATURES

With front ring	+
-----------------	---

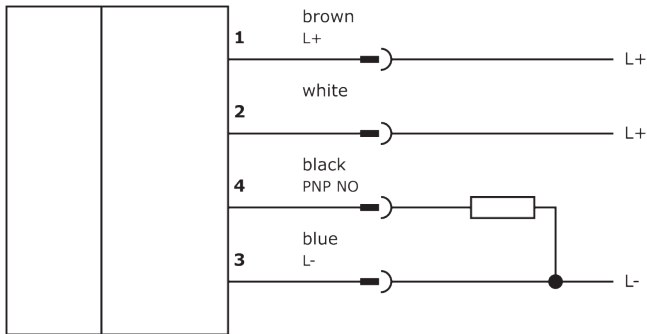
Other

Packaging dimensions	74.0mm x 74.0mm x 143.0mm
Shipping weight	0.1kg
Tariff code	85365019

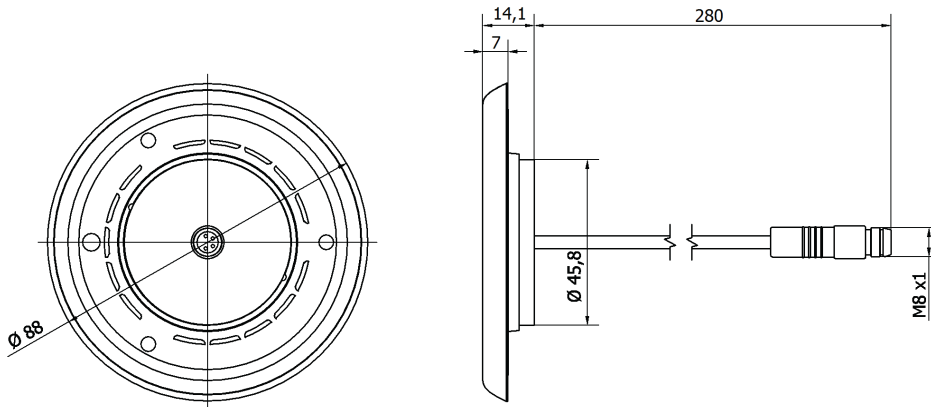
Classification

ipf product group	700
eClass 8.0	27371228
eClass 9.0	27371228
eClass 9.1	27371228
ETIM-5.0	EC001028
ETIM-6.0	EC001028
ETIM-7.0	EC001028

Connection



Dimensional drawing



Installation



Mounting / installation may only be carried out by a qualified electrician!

Disposal



Safety warnings

Before initial operation, please make sure to follow all safety instructions that may be provided in the product information. Never use these devices in applications where the safety of a person depends on their functionality.

LED lighting systems can generate intensive UV radiation, which can damage your eyes in case of improper use. The manufacturer cannot be held responsible for damages that result from improper use or connection.