

PY930900

SAFETY SYSTEMS • LASER CURTAIN

sensor laser,scanner 125x93x70 10-35V DC,2 elektr.Relais,S-n:9,9x9,9m/10m Kabel



MECHANICAL FEATURES

Ambient temperature	-30 °C ... 60 °C
Cable length	10 m
Color	Black
Housing material	Plastic PC
Inclination angle (MAX)	3 °
Inclination angle	-3 ° ... 10000 mm
Mounting height	10 m
Mounting method	Surface mounted (plaster)
Number of cores	10
Optimum mounting height	10 m
Sensor height	70 mm
Sensor length	93 mm
Sensor width	125 mm
Suitable for degree of protection (IP)	IP65
Version	Presence detector

ELECTRICAL FEATURES

For control of industrial doors and gates	+
Number of switching outputs	2
Operating voltage	10 V ... 35 V
Power consumption	5 W
Rated switching current	80 mA
Reaction time	80 ms
Setting procedure	Parameterization
Setting via remote control	+
Switching voltage	24 V
Type of electrical connection	Cable
Type of switching function	Normally closed contact/normally open contact
Type of switching output	Relay contact
Voltage type	DC
With LED display	+

OPTICAL FEATURES

Light source	Laser diode, red light
Detection range width, infrared	9.9 m
Detection range length, infrared	9.9 m
Detection range laser width	10 m
Detection range laser height	10 m

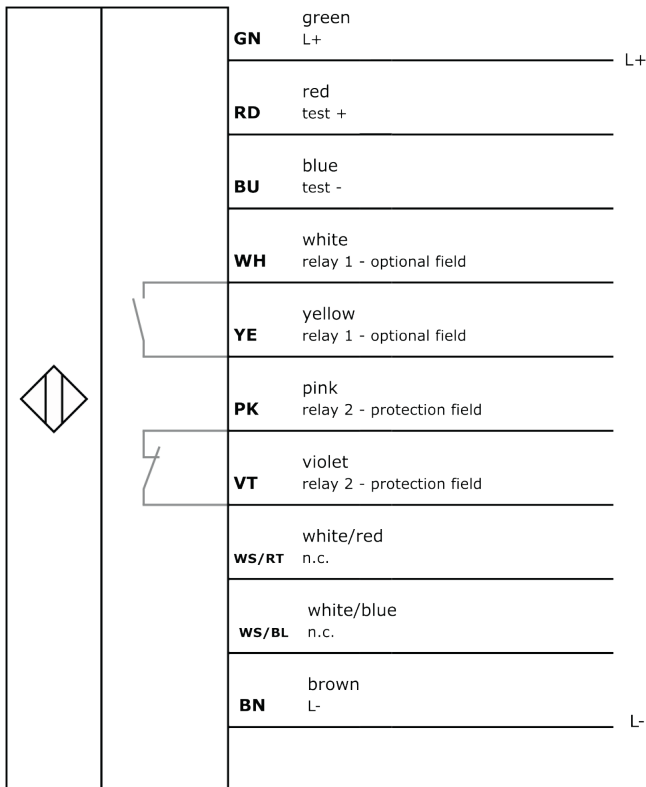
Other

Packaging dimensions	200mm x 110mm x 225.0mm
Shipping weight	1.06kg
Tariff code	85365019

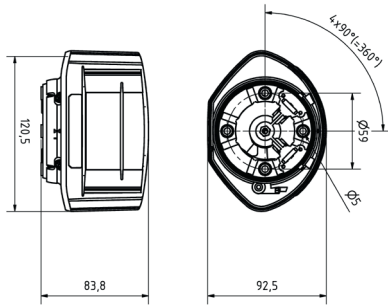
Classification

ipf product group	260
eClass 8.0	27144008
eClass 9.0	27144008
eClass 9.1	27144008
ETIM-5.0	EC000138
ETIM-6.0	EC000138
ETIM-7.0	EC000138

Connection



Dimensional drawing



Installation



Mounting / installation may only be carried out by a qualified electrician!

Disposal



Safety warnings

Before initial operation, please make sure to follow all safety instructions that may be provided in the product information. Never use these devices in applications where the safety of a person depends on their functionality. LED lighting systems can generate intensive UV radiation, which can damage your eyes in case of improper use. The manufacturer cannot be held responsible for damages that result from improper use or connection.