

VD580828 ENCODERS • ENCODERS

rotary encoder, Ø58mm 65long, Full shaft 6mm, 2000 pulses, 4.75-30V DC, -25-85°C, Push-pull, Connector M23 12pin, Radial, IP54, Aluminum



MECHANICAL FEATURES

Ambient temperature	-25 °C ... 85 °C
Axial load capacity of shaft	20 N
Degree of protection (IP)	IP54
Encoder size	58
Flange	Clamping flange
Flange material	Aluminum
Housing material	Aluminum
Max. rotation speed	10000 UpM
Moment of inertia	14.5 gcm ²
Radial load capacity of the shaft	40 N
Sensor diameter	58 mm
Sensor length	65 mm
Shaft diameter	6 mm
Shock resistance, acceleration	200 g
Shock resistance, pulse time	6 ms
Start-up torque	0.015
Type of encoder shaft	Full shaft
Version	Incremental encoder
Vibration resistance, acceleration	10 g
Vibration resistance, frequency	2000 Hz
With shaft sealing ring	-

ELECTRICAL FEATURES

Adjustable increments	-
Encoder signal outputs	A+B+0
Increments per revolution	2000
Max. output frequency	150000 Hz
No-load current	30 mA
Number of pins	12
Operating voltage	4.75 V ... 30 V
Physical measurement principle	Optic
Positioning of cable feed	Radial
Programmable	-

ELECTRICAL FEATURES

Rated switching current	20 mA
Reverse polarity protection	+
Shaft length	10
Short-circuit protection	+
Track A inverted	+
Track B inverted	+
Track N inverted	+
Type of electrical connection	Connector M23
Type of switching output	Push-pull
Voltage type	DC

OTHER FEATURES

Air humidity	0 % ... 95 %
--------------	--------------

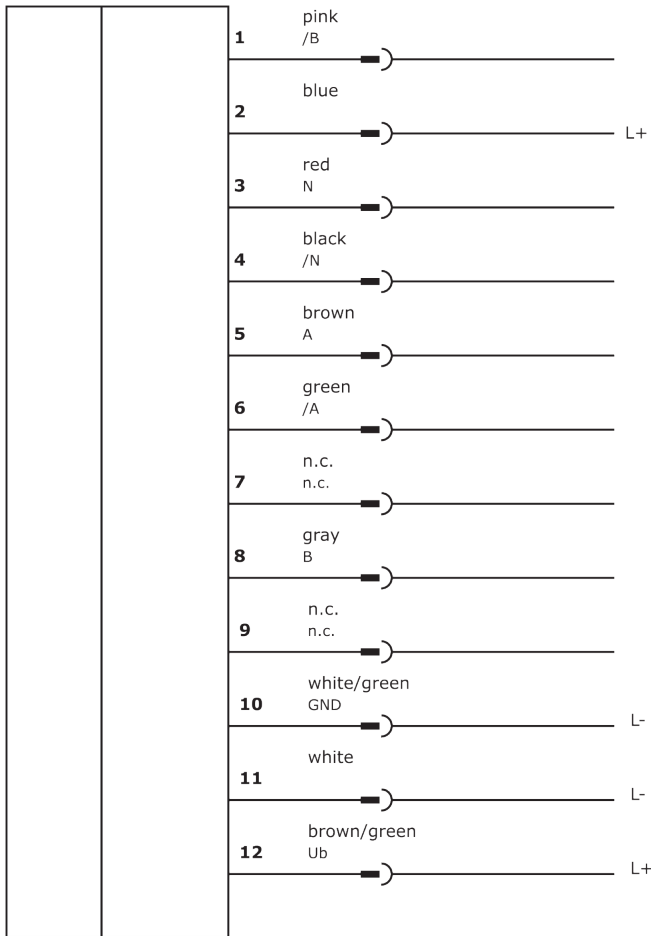
Other

Packaging dimensions	138.0mm x 95.0mm x 210mm
Shipping weight	0.36kg
Tariff code	90318020

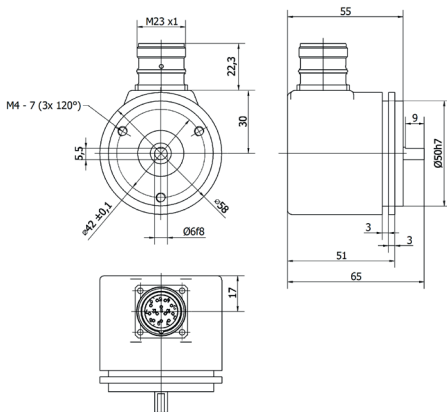
Classification

ipf product group	520
eClass 8.0	27270590
eClass 9.0	27270590
eClass 9.1	27270590
ETIM-5.0	EC001486
ETIM-6.0	EC001486
ETIM-7.0	EC001486

Connection



Dimensional drawing



Installation



Mounting / installation may only be carried out by a qualified electrician!

Disposal



Safety warnings

Before initial operation, please make sure to follow all safety instructions that may be provided in the product information. Never use these devices in applications where the safety of a person depends on their functionality. LED lighting systems can generate intensive UV radiation, which can damage your eyes in case of improper use. The manufacturer cannot be held responsible for damages that result from improper use or connection.