

VKAE0321

CONNECTION TECHNOLOGY • CABLE SOCKETS / CONNECTORS PRE-ASSEMBLED ON ONE SIDE

Connection cable, 15m, M12 Female (socket) 4pin Angular, Free conductor end, 4wire, PUR (Polyurethane), Ø4.7mm, Suitable for trailing chain and torsion resistant, Oil and cooling lubricants, Welding area, Silicone-free



MECHANICAL FEATURES

	1 Nm
Cable infeed of A connection	Angular
Cable length	15 m
Material of cable sheath	PUR (Polyurethane)
Number of cores	4
Suitable for trailing chain	+
Torsion cycles	+/-360°/m, ≥ 2 million cycles
Trailing chain cycles	5 million cycles
Version	Connection cable
Wire assembly	42 x 0.1mm

ELECTRICAL FEATURES

Line diameter	4.7 mm
Number of pins of A connection	4
Type of A electrical connection	M12
Type of B electrical connection	Free conductor end
Type of plug-in contact, A connection	Female (socket)
With LED display	-

OTHER FEATURES

Flame retardant	In accordance with EN 60332-2-2
Free of LABS	+
Halogen-free	+
Hydrolysis-proof	+
IR-networked	-
Oil and cooling lubricants	+
Ozone and UV-resistant	+
Silicone-free	+
Suitable for trailing chain and torsion resistant	+
Welding area	+

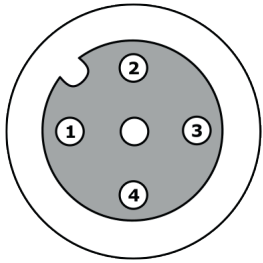
Other

Packaging dimensions	200mm x 30mm x 200mm
Shipping weight	0.46kg
Tariff code	85444290

Classification

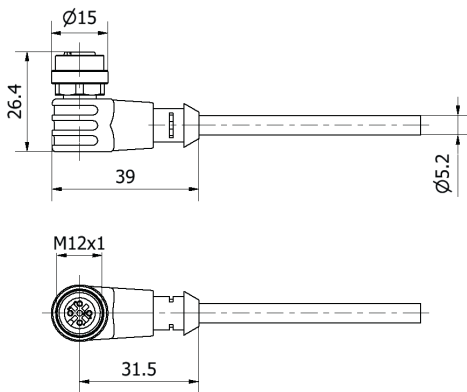
ipf product group	850
eClass 8.0	27279218
eClass 9.0	27060311
eClass 9.1	27060311
ETIM-5.0	EC001855
ETIM-6.0	EC001855
ETIM-7.0	EC001855

Connection



- 1 brown
- 2 white
- 3 blue
- 4 black

Dimensional drawing



Installation



Mounting / installation may only be carried out by a qualified electrician!

Disposal



Safety warnings

Before initial operation, please make sure to follow all safety instructions that may be provided in the product information. Never use these devices in applications where the safety of a person depends on their functionality. LED lighting systems can generate intensive UV radiation, which can damage your eyes in case of improper use. The manufacturer cannot be held responsible for damages that result from improper use or connection.