

WD534400

MONITORS • ROTATION SPEED

speed monitoring, 90x97x22mm, 1-120000 1/min, 230V AC, 24V DC, 2x Relay contact Change-over contact, IP20, Plastic, With start-up delay, Multifunctional device, Parameterization



MECHANICAL FEATURES

Ambient temperature	-20 °C ... 60 °C
Degree of protection (IP)	IP20
Depth	97 mm
Height	90 mm
Housing material	Plastic
Mounting method	DIN rail (top hat rail) 35 mm
Storage temperature	-20 °C ... 60 °C
Suitable for DIN rail (top hat rail) mounting	+
Width	22.5 mm

ELECTRICAL FEATURES

Adjustment range	120000 mm ... 1 mm
Input voltage at AC 50 Hz	184 V ... 253 V
Input voltage at DC	20.4 V ... 28.8 V
Measuring range rotational speed	1 1/min ... 120000 1/min
Minimum pulse length	0.02 ms
Number of outputs	2
Number of outputs, signaling function, undelayed, with contact	2
Power consumption	4 VA
Rated control supply voltage U_s at AC 50HZ	230 V ... 230 V
Rated control supply voltage U_s at DC	24 V ... 24 V
Rated switching current	3000 mA
Readiness delay	400 ms
Rotation speed monitoring function	+
Setting procedure	Parameterization
Standstill monitoring function	+
Start-up delay time	1 s ... 50 s
Suitable for safety functions	-
Switching voltage	230 V
Transducer power supply current	20 mA
Transducer power supply voltage	24 V
Type of switching function	Change-over contact
Type of switching output	Relay contact

ELECTRICAL FEATURES

Type of transducer power supply voltage	DC
Voltage type for actuation	DC
With LED display	+

OTHER FEATURES

Multifunctional device	+
SIL in acc. with IEC 61508	0
With start-up delay	+
With transducer power supply	+

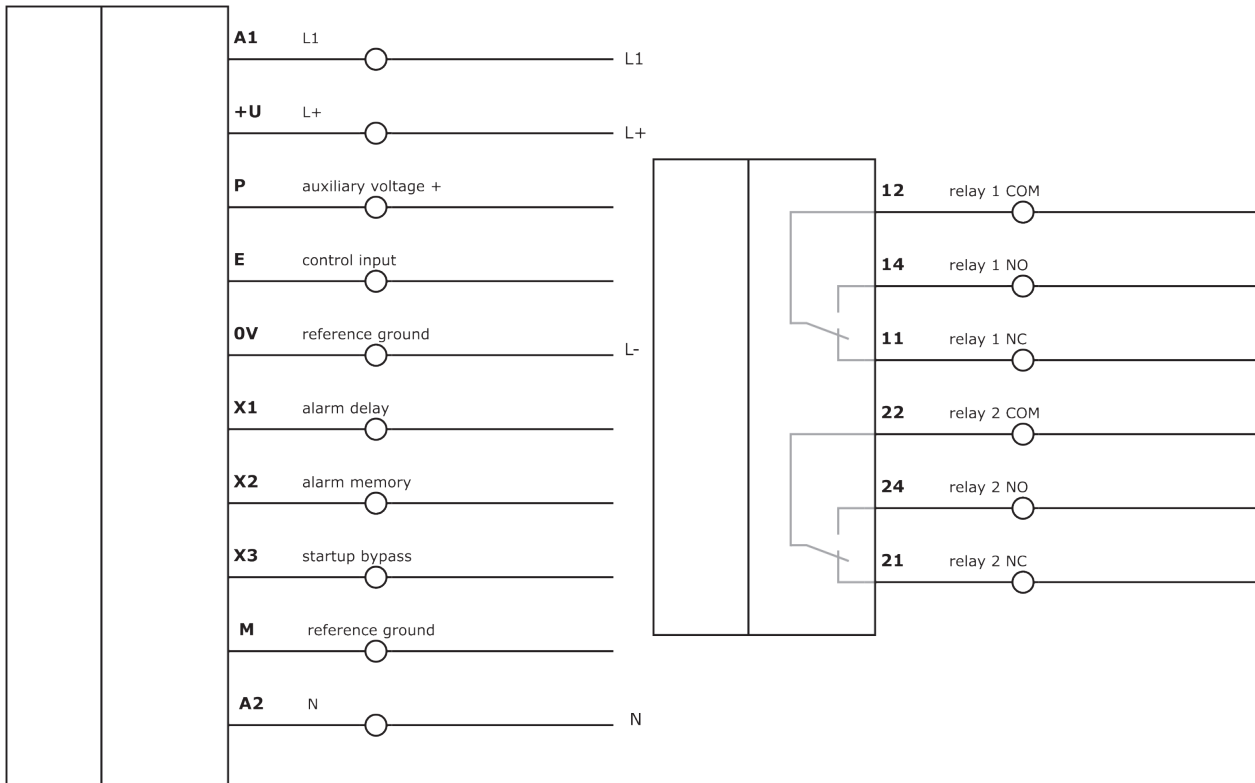
Other

Packaging dimensions	145.0mm x 45.0mm x 170mm
Shipping weight	0.27kg
Tariff code	90292038

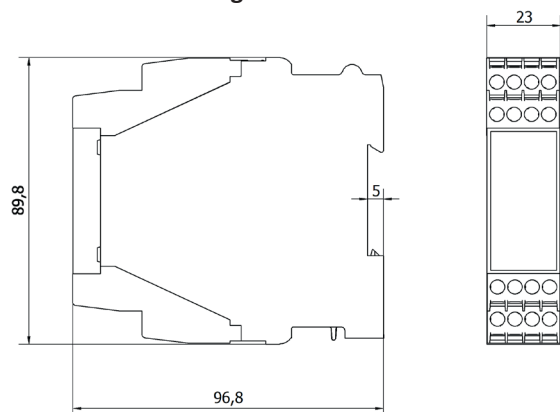
Classification

ipf product group	650
eClass 8.0	27371811
eClass 9.0	27371811
eClass 9.1	27371811
ETIM-5.0	EC001448
ETIM-6.0	EC001448
ETIM-7.0	EC001448

Connection



Dimensional drawing



Installation



Mounting / installation may only be carried out by a qualified electrician!

Disposal



Safety warnings

Before initial operation, please make sure to follow all safety instructions that may be provided in the product information. Never use these devices in applications where the safety of a person depends on their functionality. LED lighting systems can generate intensive UV radiation, which can damage your eyes in case of improper use. The manufacturer cannot be held responsible for damages that result from improper use or connection.