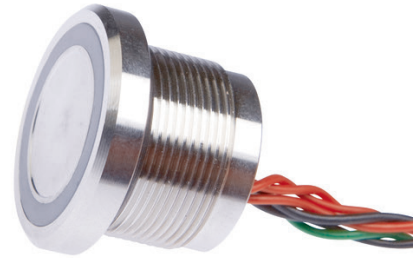


## YM220100

### MECHANICAL SENSORS • INTEGRATED BUTTON

sensor mechanical, push button, M22x1 20long, 22.5mm, 24V DC, -40°C, Relay contact NO, Single cores 6pin 500m, IP68, V4A, With LED display



#### MECHANICAL FEATURES

Actuation force	2 N ... 6 N
Ambient temperature	-40 °C ... 75 °C
Button design	Flat
Cable length	500 mm
Degree of protection (IP)	IP68
Design	Cylinder, screw-thread
Front ring color	Chrome
Front ring material	Metal
Hole diameter	22.5 mm
Housing material	Stainless steel 1.4404
Length	20 mm
Lens design	Round
Max. tightening torque	1 Nm
Thread length	12 mm
Thread pitch	1 mm
Thread size, metric	22

#### ELECTRICAL FEATURES

No-load current	20 mA
Number of contacts as normally open contact	1
Number of pins	6
Rated control supply voltage $U_s$ at DC	24 V ... 24 V
Rated switching current	200 mA
Reverse polarity protection	+
Scanning	+
Short-circuit protection	+
Suitable for illumination	+
Supply voltage of lamp	24 V
Switching function, latching	-
Type of electrical connection	Single cores
Type of switching function	Normally open contact
Type of switching output	Relay contact
Voltage drop	2.5 V

## ELECTRICAL FEATURES

Voltage type AC/DC

With LED display +

## OTHER FEATURES

With front ring +

## Other

Packaging dimensions 43.0mm x 43.0mm x 105.0mm

Shipping weight 0.06kg

Tariff code 85365019

## Classification

ipf product group 690

eClass 8.0 27371228

eClass 9.0 27371228

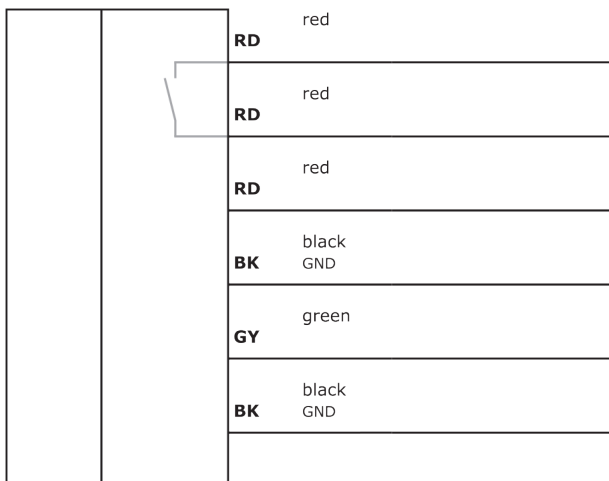
eClass 9.1 27371228

ETIM-5.0 EC001028

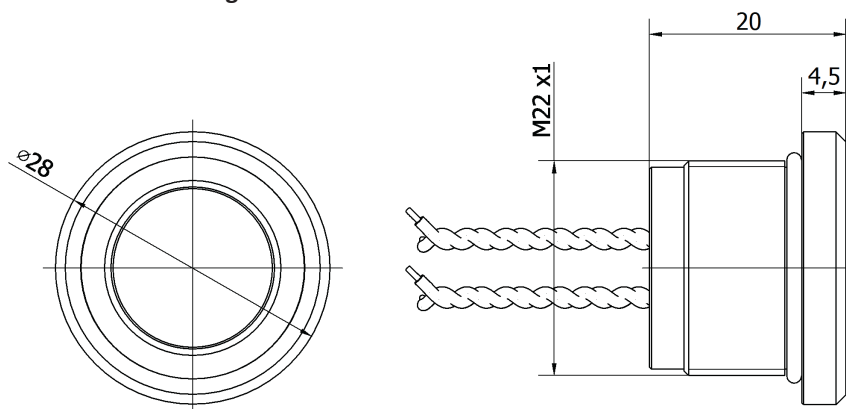
ETIM-6.0 EC001028

ETIM-7.0 EC001028

## Connection



## Dimensional drawing



### Installation



Mounting / installation may only be carried out by a qualified electrician!

### Disposal



## Safety warnings

Before initial operation, please make sure to follow all safety instructions that may be provided in the product information. Never use these devices in applications where the safety of a person depends on their functionality. LED lighting systems can generate intensive UV radiation, which can damage your eyes in case of improper use. The manufacturer cannot be held responsible for damages that result from improper use or connection.