

AO000219Safety systems
AccessoriesDimensions **26,6x44x81 (not mounted)**

- ✓ Aluminium housing
- ✓ Laserclass 2
- ✓ Installation performed through one of two lateral grooves of the safety light curtain housing
- ✓ Mounting brackets in storage box
- ✓ Voltage supply with batteries

**Laser-Pointer
for OY32, OY35, OY36****Description**

Thanks to its completely new housing and fixing system AO000219 laser pointer can be installed in all safety light curtains profiles of OY32, OY35 and OY36 series. Thanks to a specially designed CAM fixing equipment the laser pointer can be inserted into one of the two lateral grooves either from the top or from the side, depending on which kind of fixing brackets have been used to mount the safety light curtain (standard "L" or TOP-BOTTOM Rotating ones).

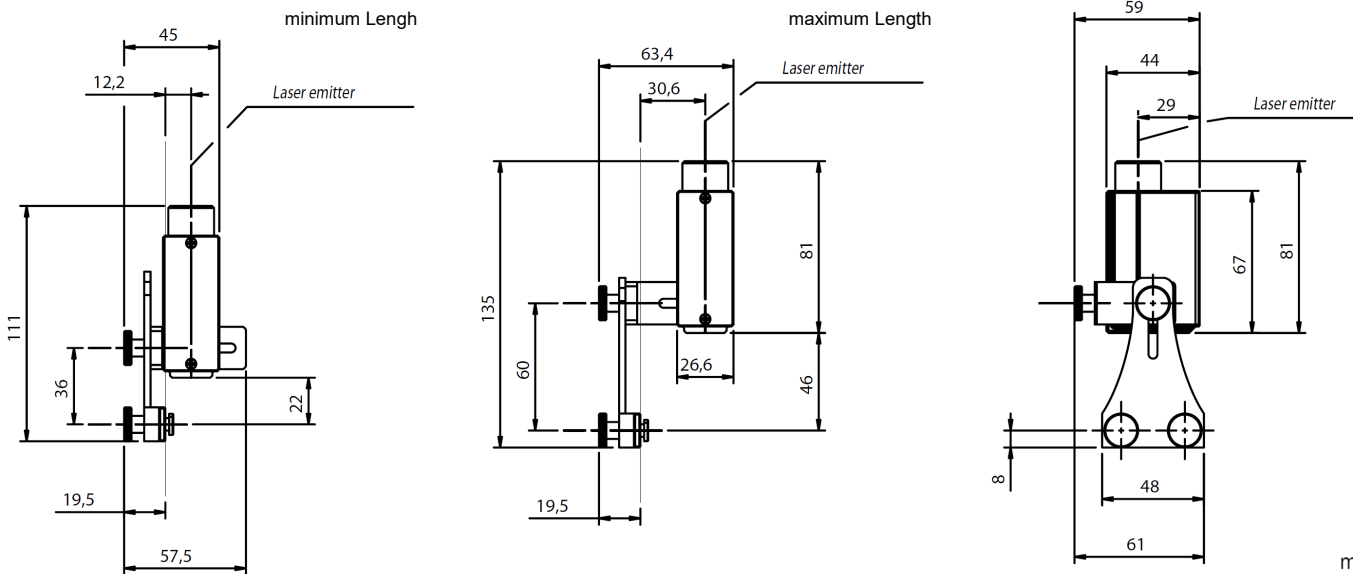
One top and one lateral fixing brackets, together with two tightening knobs, allow to adjust AO000219 laser pointer's position in both transversal and longitudinal directions and to have it constantly centred respect light curtain's optical axis, independently from housing width..

Typical applications

The AO000219 laser pointer is advised to be used to ease transmitter and receiver mechanical alignment process in the following installation conditions:

- Multi-beam body/access protection safety light curtain whose operating distance is more than 25m;
- Multi-beam body/access protection safety light curtain installed with deviating mirrors to perform perimetric protections;
- Finger or hand protection safety light curtains installed with deviating mirrors to protect different sides of a machine.

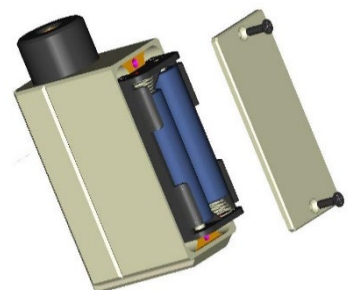
Drawings



| | |
|---|--------------------------------------|
| LASER RADIATION | $P = \leq 1 \text{ mW}$ |
| DO NOT STARE INTO BEAM | $\lambda = 640 \dots 660 \text{ nm}$ |
| CLASS 2 LASER PRODUCT | |
| EN 60825-1 (1994) + A1 (2002) + A2 (2001) | |

The laser pointer is powered by two 1.5 V AAA type batteries, take care to respect right polarity. **Battery replacement:**

With a common cross head screw driver remove the 2 TSP UNI 7688 M2,5x8 screws from bottom closing cap then remove it to have access to the battery box; put off the battery box, extract the two batteries and replace with new ones. Place the battery box in its place, close with the cap and firmly tighten the screws.



- Exhausted batteries are designated for separate collection at an appropriate collection point.
- Do not dispose of as household waste.
- For more information, contact the local authorities in charge of waste management.

Installation

- Install the emitting and receiving units of the OY32 / 35 / 36 series safety device in the defined positions (refer to MECHANICAL MOUNTING chapter of the safety light curtain instructions manual). The use of floor stands is recommended, verifying that they are firmly fixed and that their axis is perpendicular to the floor.
- AO000219 laser pointer is installed on OY32 / 35 / 36 safety light curtains profiles using one of the two lateral grooves. Depending on which kind of fixing bracket is used, laser pointer can be mounted side way or slotted from the top. Side mounting is compulsory when the accessory is installed on OY32 / 36 curtains with TOP-BOTTOM rotating brackets.

Top mounting

Insert the “b” ensemble inside the lateral groove keeping the couple of cams in vertical position (Fig. 1) until you’ve reached the right position (Fig. 3)

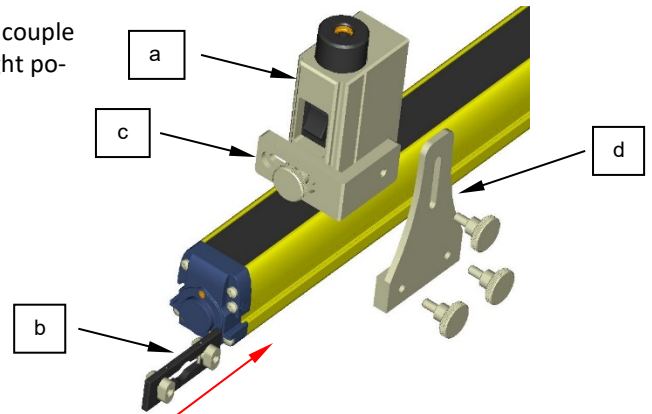


Fig. 1

Side mounting

Insert the “b” ensemble abutting on the curtain side corresponding to the lateral groove. Keep the couple of cams in horizontal position (Fig. 2) and after they entered the groove rotate them of 90° (Fig. 3).

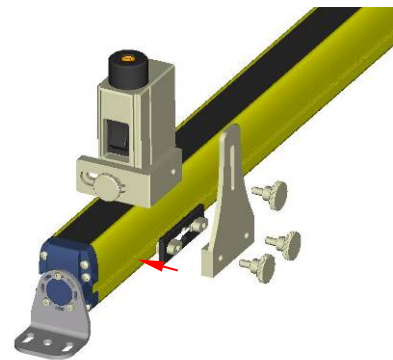


Fig. 2

Bring close the “d” bracket to the “b” ensemble completely and tighten the knurled knobs to firmly fix the system.

Fix the “c” bracket to the “a” ensemble using one of the four knurled knobs, without tightening it completely in order to allow the mutual adjustment between “c” bracket and the laser pointer itself (Fig. 3).

As shown in the previous figures it’s sufficient to place such obtained assembly on the light curtain front panel to have a first rough positioning. Bring close, then, the “d” bracket to the “b” ensemble tightening completely the corresponding knurled knobs (Fig. 4).

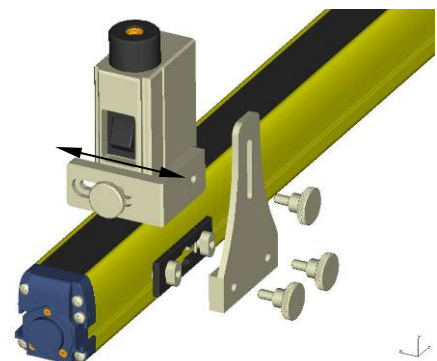


Fig. 3

At this point screw last knob fixing together both the “c” and “d” brackets.
Tighten the knob firmly keeping the laser pointer group close to the front panel of the curtain.

Laser pointer is positioned inside the detection field of the safety device and thus inhibits the functioning during the alignment phase. In case of safety devices for access control, this inconvenience can be avoided by positioning the laser pointer in a zone not affected by optic groups. The device functioning is thus not inhibited and the alignment results can be observed directly on the receiving unit’s signalling LEDs.

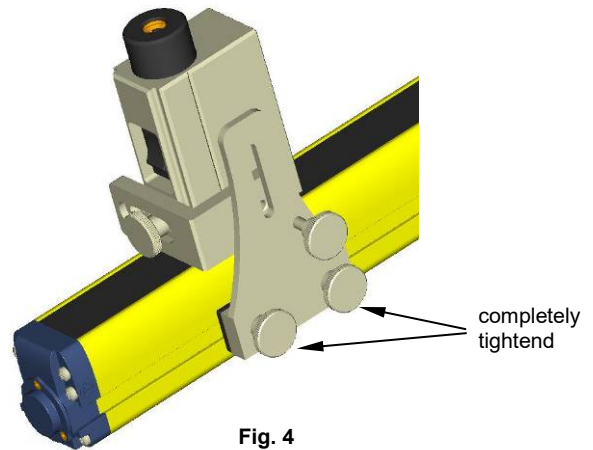


Fig. 4

Alignment

- 1) Power on the laser pointer rotating pushing the dedicated switch. Orientate the emitting unit in order that the laser beam hits the receiving unit at the same height of the pointer.

NOTE: The holes of the fixing bracket or the orientable supports or the rotating brackets, available as accessories, can be used to orientate the unit, allowing angle adjustment along the vertical unit axis. If necessary the inclination of the floor stand can be changed by simply mounting washers under the base.

- 2) Repeat this procedure inserting the pointer in the lower part of the emitting unit; if necessary repeat this procedure unit the desired result is obtained.
- 3) Insert the laser pointer in the upper part of the receiving unit and orient this unit in order that the laser beam hits the emitting unit as indicated.
- 4) Repeat this procedure inserting the laser pointer in the lower part of the receiving unit.

After this operation, fix the position of the light curtain remove the laser pointer from controlled area and switch on the safety device and verify the correct alignment. Finally, centre the laser pointer transversal position keeping it close to the front panel, fix defiantly

NOTE: The laser pointer, due to mechanical tolerance problems in the matching with the light curtain housing, provides an approximate indication and hence small corrections may be necessary in the unit alignment, following the ALIGNMENT PROCEDURE described in the safety light curtain instructions manual.

Fixing

- To disengage the laser pointer is enough to totally unscrew the knobs and partially the remaining ones.