

PRODUCT capacitive filling level sensor

- ✓ special housing with stop for possible sealing
- ✓ short-circuit and reverse polarity protection
- ✓ no mechanically moving parts
- ✓ degree of protection IP67
- ✓ cable connection



preset sensitivity
process connection G1/2"

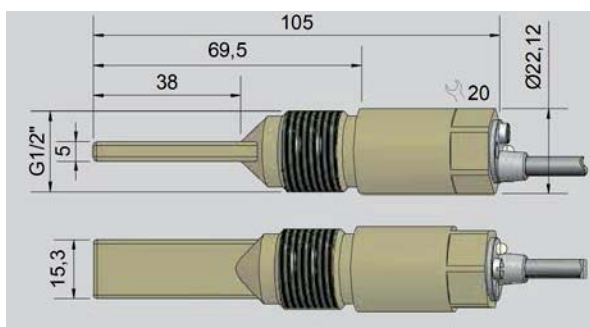


Technical Data

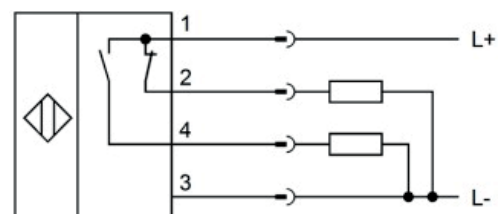
FK900400

mounting	non-flush
sensitivity	typ. $\epsilon_r = 2 \dots 80$
operating voltage	10 ... 35V DC
residual ripple	< 10%
current consumption (w/o load)	< 15mA
switching frequency	$\leq 2\text{Hz}$
output circuit	antivalent
output current max.	2 x 200mA
voltage drop (max. load)	$\leq 2.0\text{V}$
LED-display	green / yellow
short-circuit protection	+
reverse polarity protection	+
ambient temperature (housing)	-25 ... +70°C / CIP 121° disconnected
system of protection (EN 60529)	IP67 (with sealed potentiometer screw)
permissible pressure on active surface	10bar
material (housing)	LCP
material (end piece)	PA
connection	2m PVC-Kabel, 4 x 0.34mm ²

dimensional drawing



connection



Article number: **FK900400**

Warning: Never use these devices in applications where the safety of a person depends on their functionality.