

AB000008

Process Data Analysis • Accessories

Accessories IoT gateway, module, 25x139x110mm, 4x AC current sensors, active, reactive and apparent power, clamp, IP20



Active, reactive and apparent power, energy, RMS current and voltage, power factor, Total harmonic distortion (total harmonic distortion)

Electrical features

Display	LED display
Power consumption	5 VA
RAM	1GBD DDR3L RAM 8GB eMMC
Processor	NXP® i.MX 6ULL
Supported communication interface	Modbus TCP MQTT OPC UA
Operating voltage (DC)	21,6 - 26,4 V
ardSOCA_Betriebsspannung	22-26VDC

Mechanical features

Height	139 mm
Storage temperature	-40 - 85 °C
Length	109 mm
Mounting method	Top hat rail
Degree of protection (IP)	IP20
Housing material	Nylon 6 with 30% glass fibers
Ambient temperature	0 - 50 °C
ardSOCA_Abmessungen	139mm high

Other features

Relative air humidity (non-condensing)	20 - 90 %
--	-----------

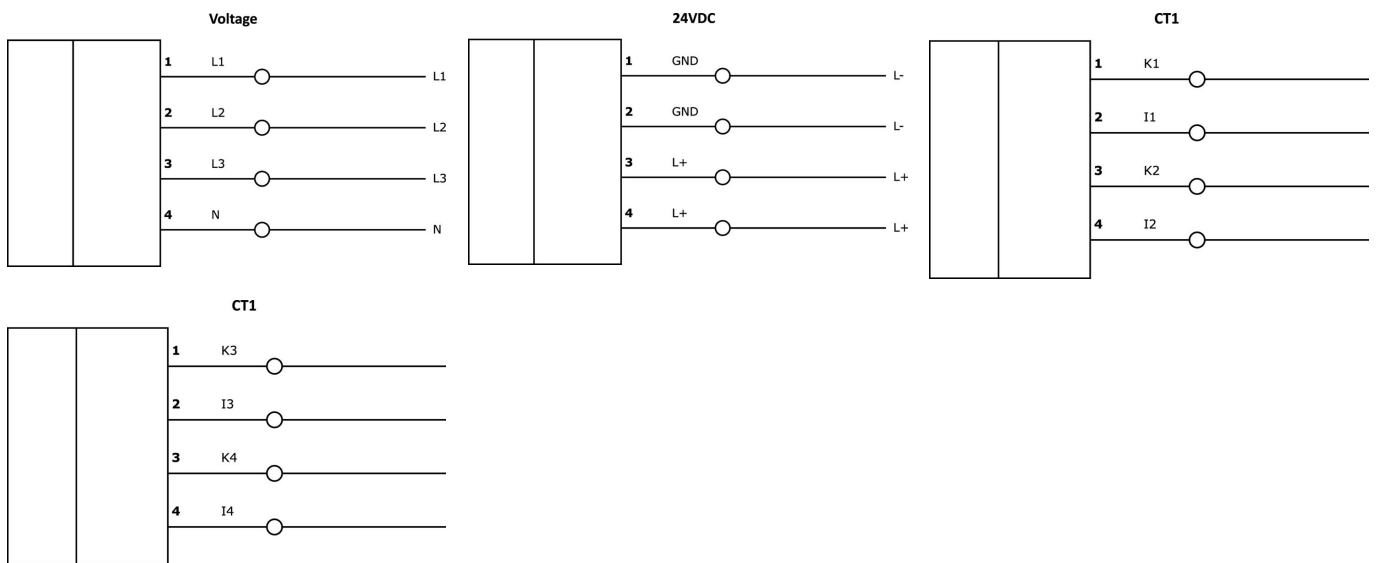
Classification

ETIM 8

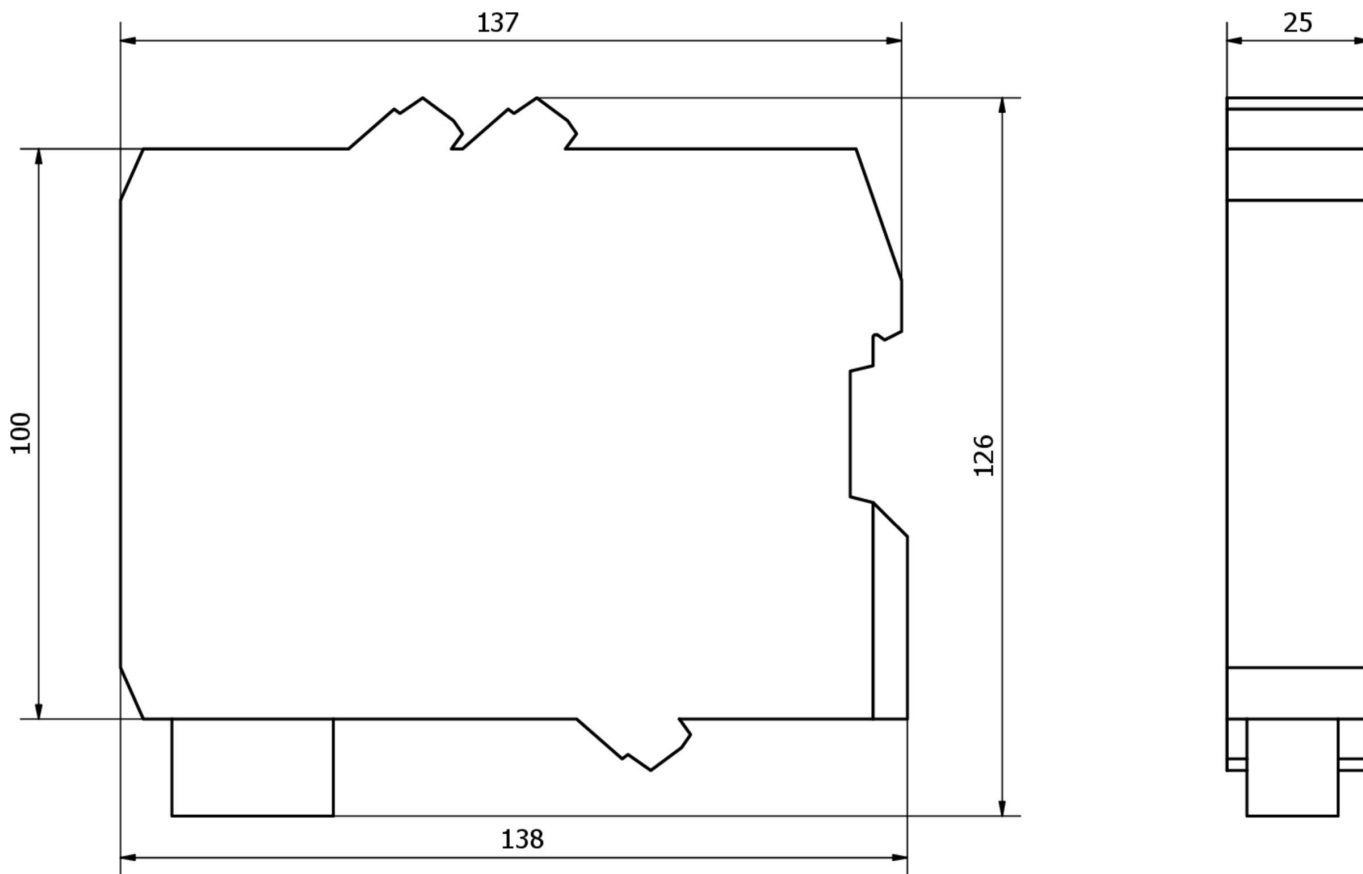
More

IPF Product Group	735 Gateway and accessories
packaging dimensions	225 x 175 x 45 mm
gross weight	247 g
Customs tariff number	85437090
WEEE number	40951076
Reach-compliant	Yes
RoHS-compliant	Yes

Connection



Dimensional drawing



Extract accessories program

NZ06F001



Current transformer,
26x16x31mm, primary 30A, 3000:
1, JST cable connector 2-pin 0.
15m, plastic

NZ10F001



Current transformer,
27x24x40mm, primary 80A, 3000:
1, JST cable connector 2-pin 0.
15m, plastic

You can find further accessories on our homepage



Installation

Mounting / installation may only be carried out by a qualified electrician!



Disposal

WEEE number according to § 6 para. 3
ElektroG: 40951076

Safety warnings

/ Before initial operation, please make sure to follow all safety instructions that may be provided in the product information.

/ Never use these devices in applications where the safety of a person depends on their functionality.

/ Any software, drivers or IODD files that may be required to operate your device can be downloaded free of charge from our homepage: www.ipf-electronic.com