

AC000037

Accessories • Counter - mounting frame

accessories counter, Mounting frame, 72x72mm

including Screw



Mechanical features

Width	72 mm
Height	72 mm

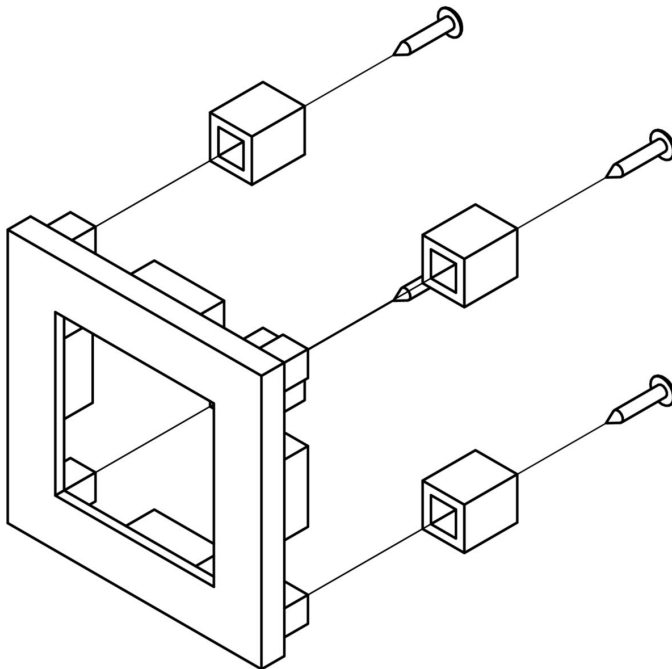
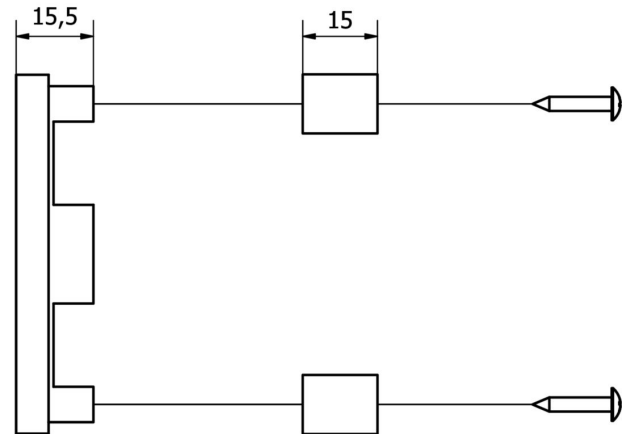
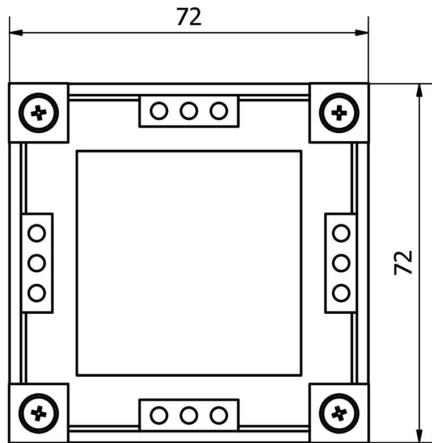
Classification

ETIM 8	EC001195 Accessories/spare parts for test and measurement equipment (electrical)
--------	--

More

IPF Product Group	900 accessories
packaging dimensions	170 x 120 x 17 mm
gross weight	32 g
Customs tariff number	39269097
WEEE number	40951076
Reach-compliant	Yes
RoHS-compliant	Yes

Dimensional drawing



Installation

Mounting / installation may only be carried out by a qualified electrician!



Disposal

WEEE number according to § 6 para. 3
ElektroG: 40951076

Safety warnings

/ Before initial operation, please make sure to follow all safety instructions that may be provided in the product information.

/ Never use these devices in applications where the safety of a person depends on their functionality.