

AD000017

Accessories • Fittings - Adapters

Accessories pressure, adapter, G1/4, 26lang, V4A



Mechanical features

Type of process connection	G1/4 inch
Design	Straight
Length	25 mm
Max. operating pressure	350 bar
Wrench size	17 mm
Material	Stainless steel 1.4571
Version of the sensor connection	G1/4 inch

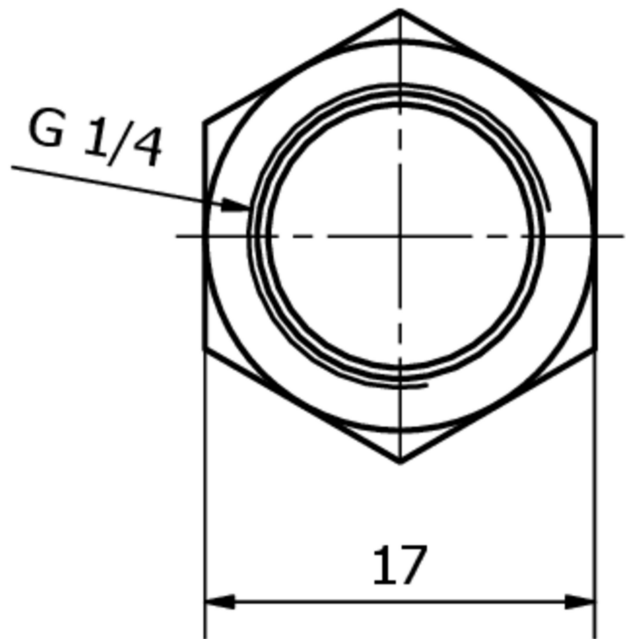
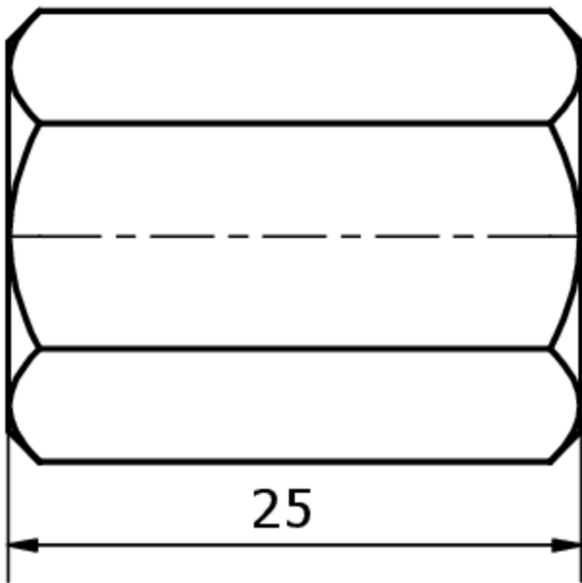
Classification

ETIM 8

More

IPF Product Group	900 accessories
packaging dimensions	100 x 70 x 18 mm
gross weight	28 g
Customs tariff number	90269000
WEEE number	40951076
POP-compliant	Yes
Reach-compliant	Yes
RoHS-compliant	Yes

Dimensional drawing



Installation

Mounting / installation may only be carried out by a qualified electrician!



Disposal

WEEE number according to § 6 para. 3
ElektroG: 40951076

Safety warnings

- / Before initial operation, please make sure to follow all safety instructions that may be provided in the product information.
- / Never use these devices in applications where the safety of a person depends on their functionality.