

AD000025

Accessories • Fittings - Adapters

Pressure accessories, adapter, G1/8 - G1/4, 31lang, galvanized steel (galv.steel), NBR



Mechanical features

Design	Straight
Length	31 mm
Max. operating pressure	630 bar
Medium temperature	-35 - 100 °C
Wrench size	19 mm
Material	Steel
Seal material at process connection	Plastic (NBR)
Version of the process connection A	G1/4 Zoll
Version of the process connection B	G1/8 Zoll

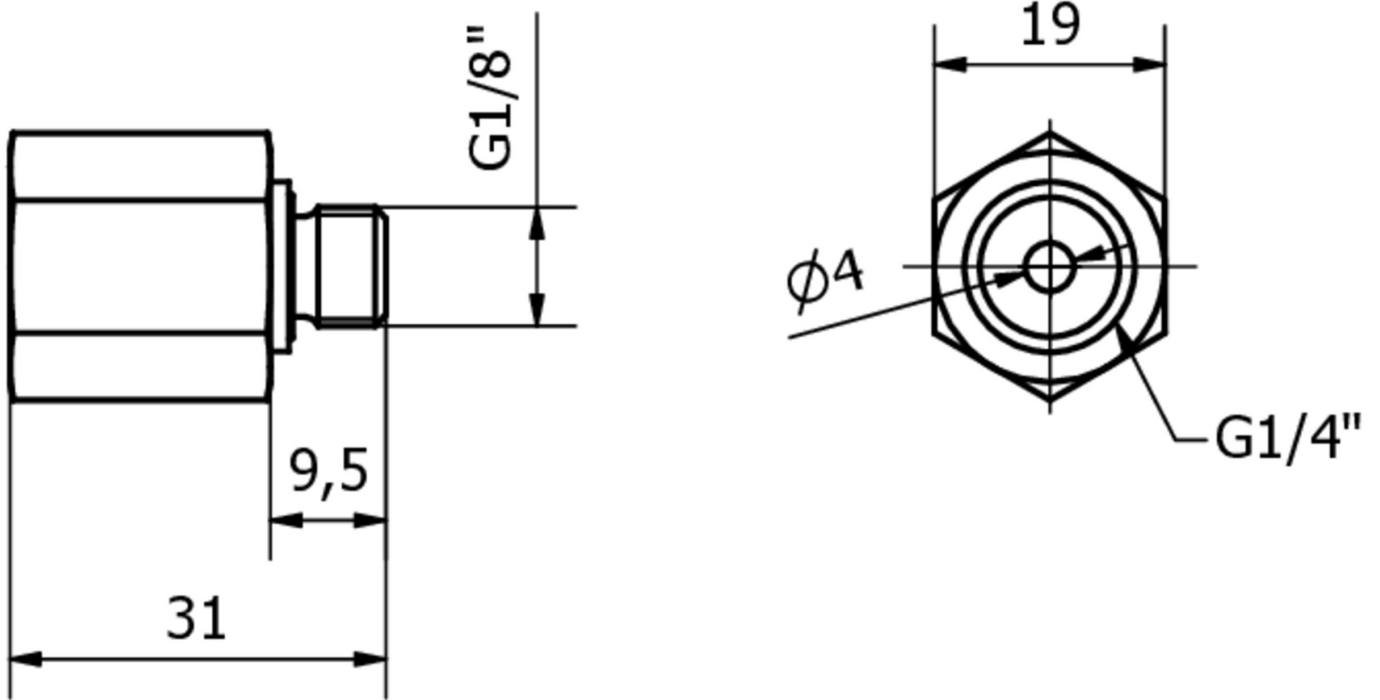
Classification

ETIM 8

More

IPF Product Group	900 accessories
packaging dimensions	165 x 100 x 25 mm
gross weight	43 g
Customs tariff number	90269000
WEEE number	40951076
Reach-compliant	Yes
RoHS-compliant	Yes

Dimensional drawing



Installation

Mounting / installation may only be carried out by a qualified electrician!



Disposal

WEEE number according to § 6 para. 3
ElektroG: 40951076

Safety warnings

- / Before initial operation, please make sure to follow all safety instructions that may be provided in the product information.
- / Never use these devices in applications where the safety of a person depends on their functionality.