

AD000028

Accessories • Fittings - Adapters

Pressure accessories, adapter, G1/4 - G1/2, 24 long, galvanized steel (galv.steel), NBR



Mechanical features

Design	Straight
Length	24 mm
Max. operating pressure	630 bar
Medium temperature	-35 - 100 °C
Wrench size	27 mm
Material	Steel
Seal material at process connection	Plastic (NBR)
Version of the process connection A	G1/2 Zoll
Version of the process connection B	G1/4 Zoll

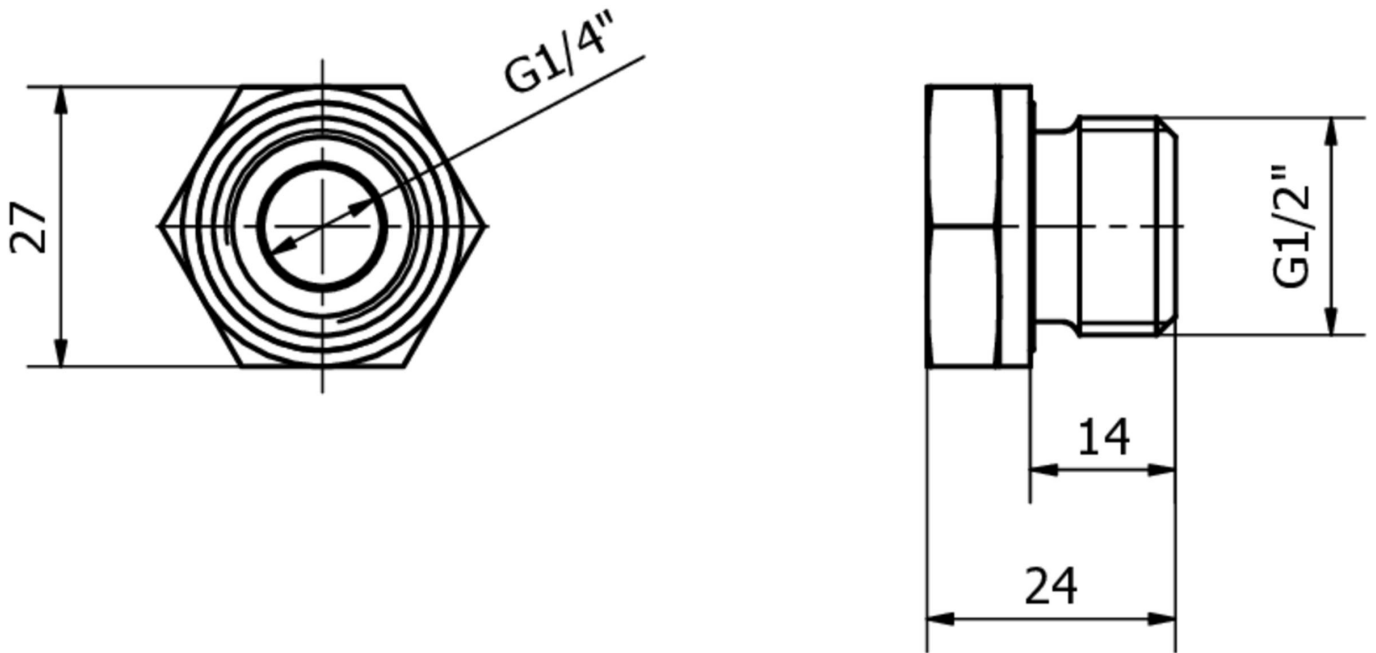
Classification

ETIM 8

More

IPF Product Group	900 accessories
packaging dimensions	165 x 100 x 31 mm
gross weight	59 g
Customs tariff number	90269000
WEEE number	40951076
Reach-compliant	Yes
RoHS-compliant	Yes

Dimensional drawing



Extract accessories program

AD000019



Accessories pressure, profile seal
G1/2", Ø24mm 1,5high,
fluorocarbon rubber FKM, green

You can find further accessories on our homepage



Installation

Mounting / installation may only be carried out by a qualified electrician!



Disposal

WEEE number according to § 6 para. 3
ElektroG: 40951076

Safety warnings

- / Before initial operation, please make sure to follow all safety instructions that may be provided in the product information.
- / Never use these devices in applications where the safety of a person depends on their functionality.