

AE000009

Accessories • Mounting

accessories light, Adapter, 10x60x28mm, Aluminum Anodised



Mechanical features

Width	28 mm
Height	10 mm
Length	60 mm
Surface	teflon coated
Housing material	Aluminum

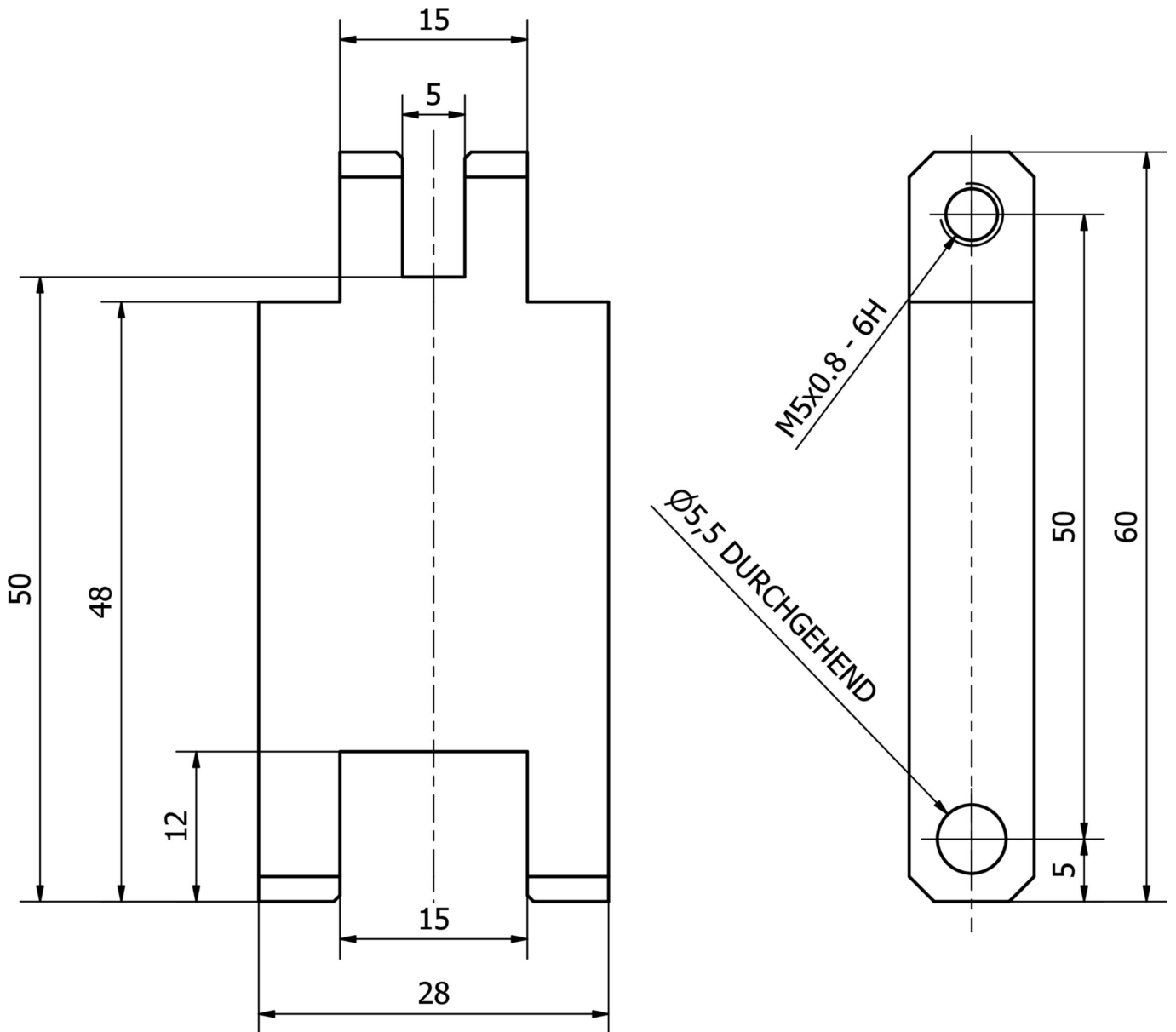
Classification

ETIM 8	EC002024 Accessories/spare parts for command devices
--------	--

More

IPF Product Group	914 accessories camera sensors
packaging dimensions	100 x 70 x 19 mm
gross weight	42 g
Customs tariff number	76169990
WEEE number	40951076
Reach-compliant	Yes
RoHS-compliant	Yes

Dimensional drawing



Installation

Mounting / installation may only be carried out by a qualified electrician!



Disposal

WEEE number according to § 6 para. 3
ElektroG: 40951076

Safety warnings

/ Before initial operation, please make sure to follow all safety instructions that may be provided in the product information.

/ Never use these devices in applications where the safety of a person depends on their functionality.