

AE000011

Accessories • LED light - mounting

Light up accessories, mounting bracket, M4x0.7 30 long, mounting material for light, bracket, stainless steel, 90°

including Screw



Mechanical features

Width	33.78 mm
Diameter of screw-on mounting	6.5
Thread pitch	0.7 mm
Height	40.89 mm
Length	29.73 mm
Mounting method	Screw mounting
Material	Stainless steel
Angle	90 °
Thread dimension	M4

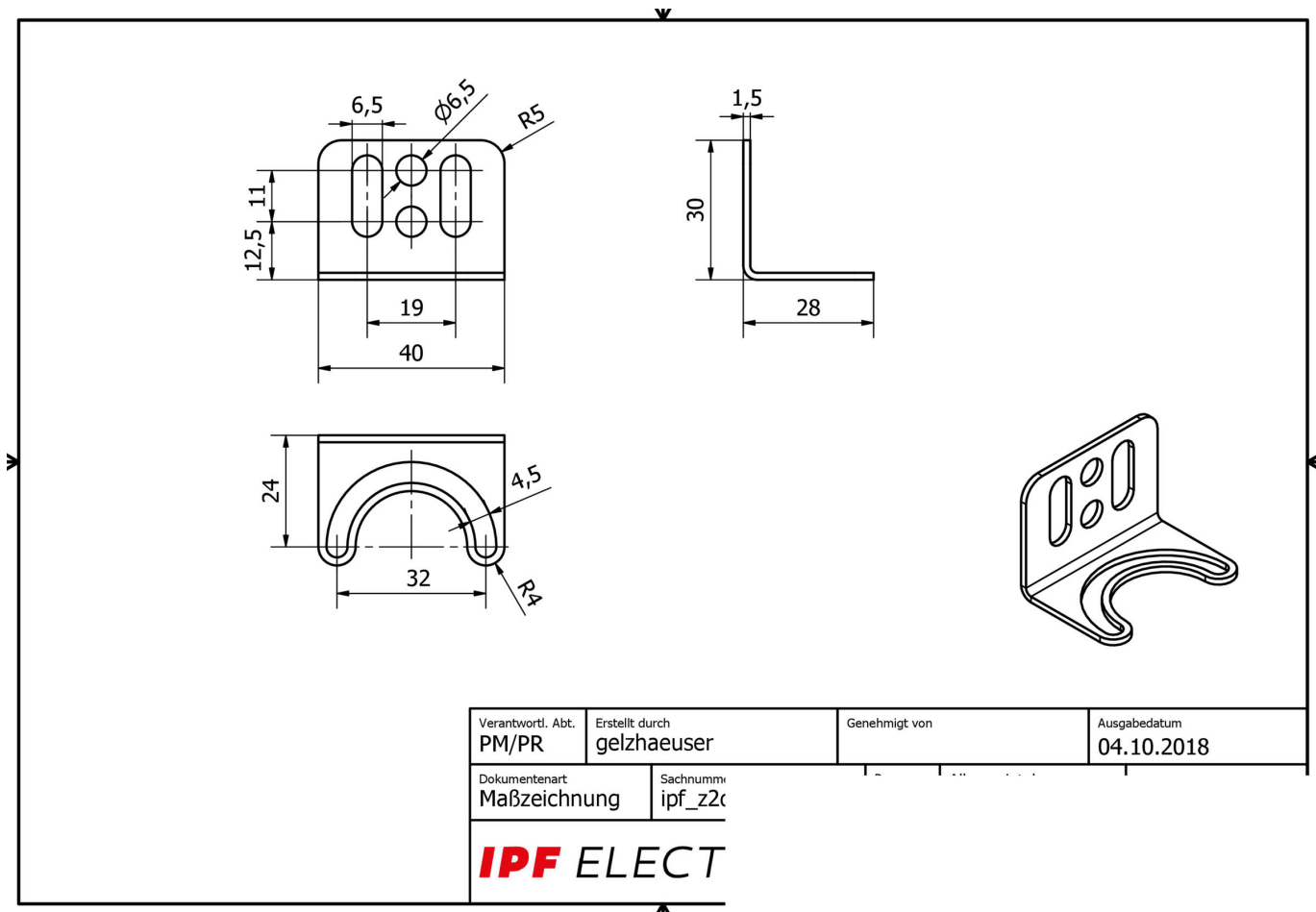
Classification

ETIM 8	EC002625 Mounting accessories (control cabinet)
--------	---

More

IPF Product Group	900 accessories
packaging dimensions	100 x 70 x 30 mm
gross weight	45 g
Customs tariff number	73269098
WEEE number	40951076
Reach-compliant	Yes
RoHS-compliant	Yes

Dimensional drawing



Installation

Mounting / installation may only be carried out by a qualified electrician!



Disposal

WEEE number according to § 6 para. 3
ElektroG: 40951076

Safety warnings

- / Before initial operation, please make sure to follow all safety instructions that may be provided in the product information.
- / Never use these devices in applications where the safety of a person depends on their functionality.