

AE000024

Accessories • LED light - mounting

accessories lights, Mounting bracket, Mounting material for lights, Steel



Light accessories, mounting bracket, mounting material for light, steel

Mechanical features

Mounting method	Screw mounting
Material	Steel
Accessories for	EA30/EZ30

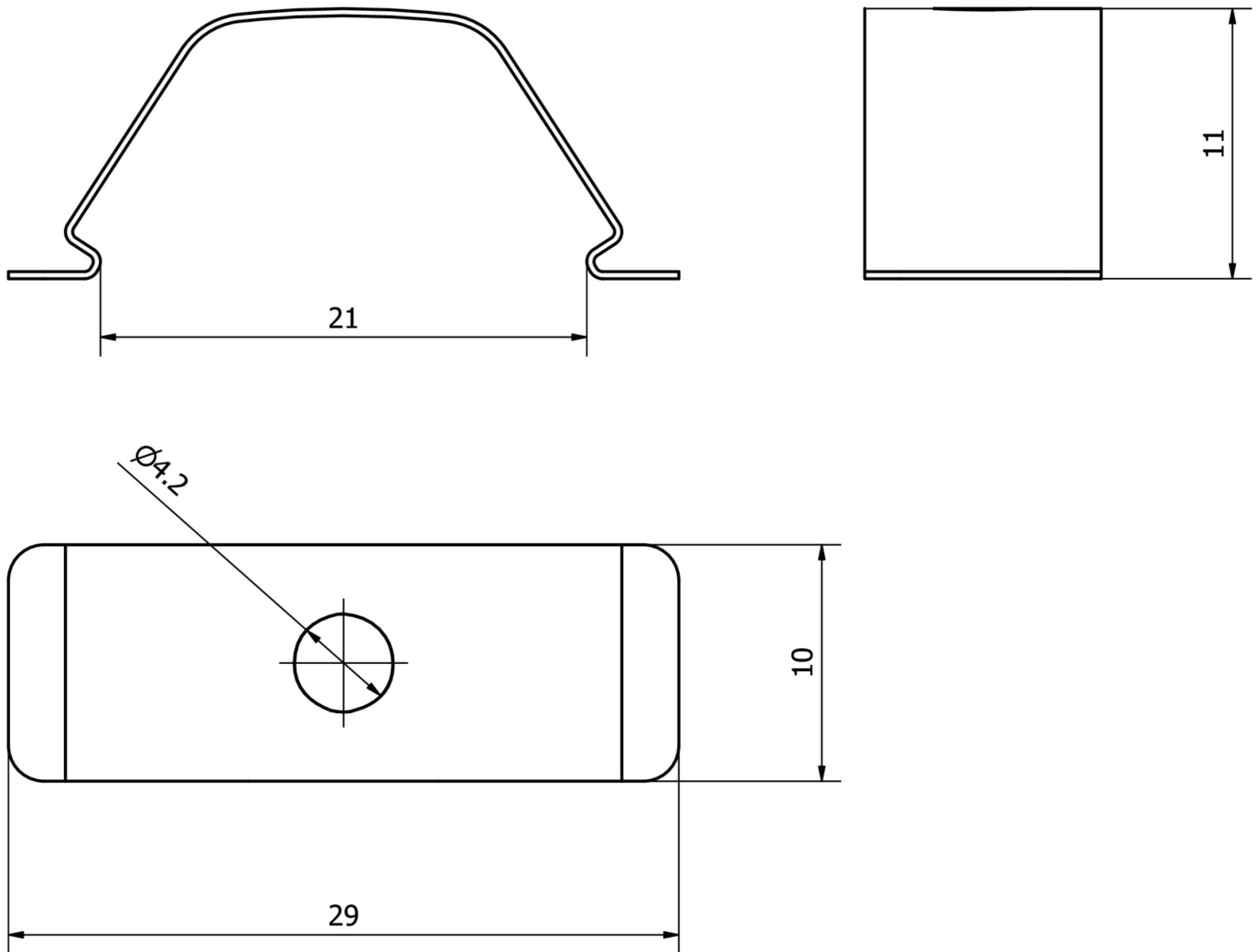
Classification

ETIM 8	EC002625 Mounting accessories (control cabinet)
--------	---

More

IPF Product Group	900 accessories
packaging dimensions	120 x 100 x 15 mm
gross weight	5 g
Customs tariff number	73269098
WEEE number	40951076
Reach-compliant	Yes
RoHS-compliant	Yes

Dimensional drawing



Installation

Mounting / installation may only be carried out by a qualified electrician!



Disposal

WEEE number according to § 6 para. 3
ElektroG: 40951076

Safety warnings

- / Before initial operation, please make sure to follow all safety instructions that may be provided in the product information.
- / Never use these devices in applications where the safety of a person depends on their functionality.