

# AE000026

## Accessories • LED light - mounting

accessories lights, Mounting bracket, Mounting material for lights, Plastic



Light accessories, mounting bracket, mounting material for light, plastic

### Mechanical features

|                 |                |
|-----------------|----------------|
| Mounting method | Screw mounting |
| Material        | Plastic        |
| Accessories for | EA30/EZ30      |

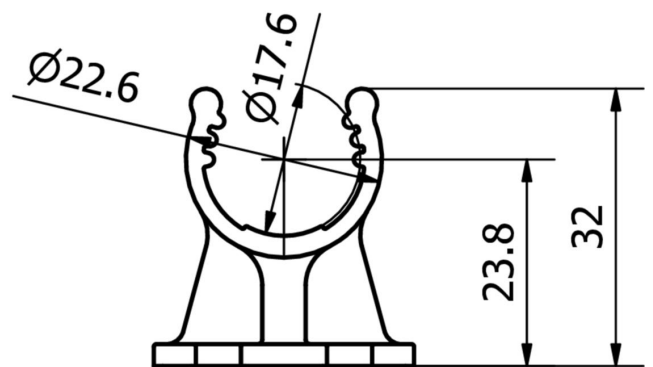
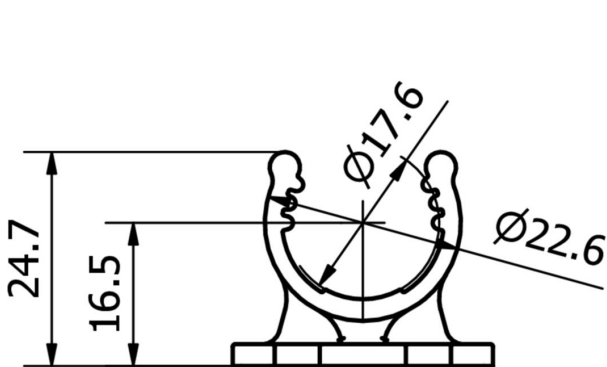
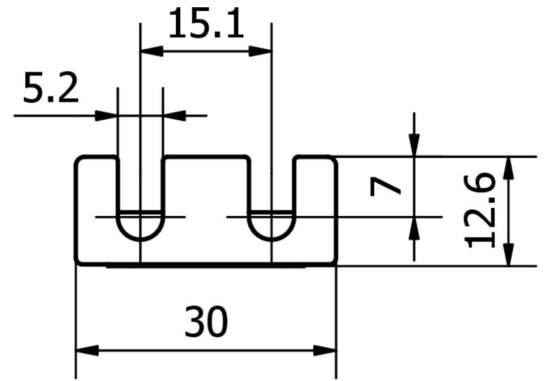
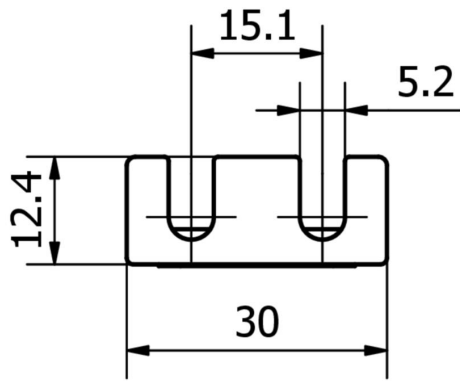
### Classification

|        |   |
|--------|---|
| ETIM 8 | EC002625 Mounting accessories (control cabinet) |
|--------|---|

### More

|                       |                   |
|-----------------------|-------------------|
| IPF Product Group     | 900 accessories   |
| packaging dimensions  | 120 x 100 x 20 mm |
| gross weight          | 7 g               |
| Customs tariff number | 73269098          |
| WEEE number           | 40951076          |
| Reach-compliant       | Yes               |
| RoHS-compliant        | Yes               |

**Dimensional drawing**



**Installation**

Mounting / installation may only be carried out by a qualified electrician!



**Disposal**

WEEE number according to § 6 para. 3  
ElektroG: 40951076

**Safety warnings**

- / Before initial operation, please make sure to follow all safety instructions that may be provided in the product information.
- / Never use these devices in applications where the safety of a person depends on their functionality.