

AE00032

Accessories • LED light - mounting

Accessories lights up, mounting flange, Ø98mm, 65mm high, aluminum



Accessories lights up, mounting flange, Ø98mm, 65mm high, aluminum

Mechanical features

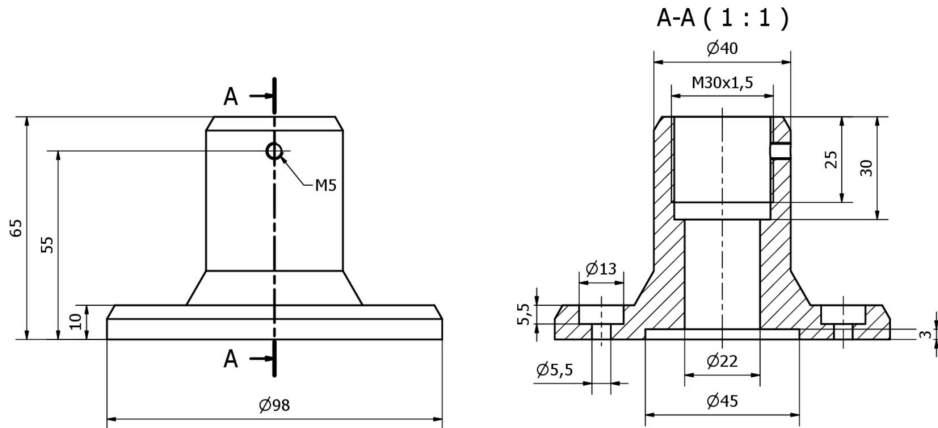
Diameter	98 mm
Height	65 mm
Material	Aluminum

Classification

ETIM 8	EC002625 Mounting accessories (control cabinet)
--------	---

More

IPF Product Group	900 accessories
packaging dimensions	100 x 95 x 90 mm
gross weight	295 g
Customs tariff number	76169990
WEEE number	40951076
POP-compliant	Yes
Reach-compliant	Yes
RoHS-compliant	Yes

Dimensional drawing**Installation**

Mounting / installation may only be carried out by a qualified electrician!

**Disposal**

WEEE number according to § 6 para. 3
ElektroG: 40951076

Safety warnings

- / Before initial operation, please make sure to follow all safety instructions that may be provided in the product information.
- / Never use these devices in applications where the safety of a person depends on their functionality.