

AE000033

Accessories • LED light - mounting

Accessories lights, extension, Ø36mm, 120 long, aluminum



Accessories lights, extension, Ø36mm, 120 long, aluminum

Mechanical features

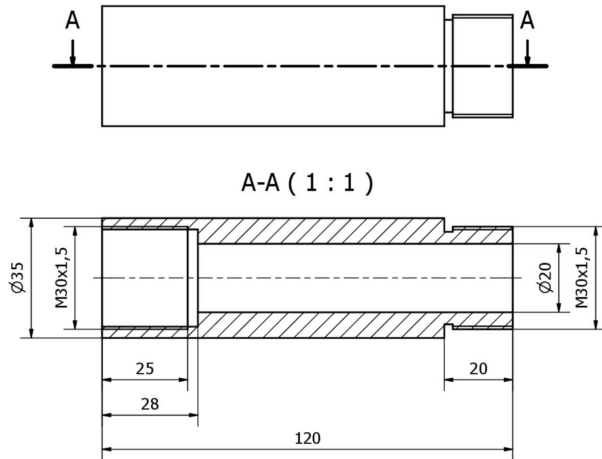
Diameter	35 mm
Height	120 mm
Material	Aluminum

Classification

ETIM 8	EC002625 Mounting accessories (control cabinet)
--------	---

More

IPF Product Group	900 accessories
packaging dimensions	165 x 100 x 8 mm
gross weight	170 g
Customs tariff number	76169990
WEEE number	40951076
POP-compliant	Yes
Reach-compliant	Yes
RoHS-compliant	Yes

Dimensional drawing**Installation**

Mounting / installation may only be carried out by a qualified electrician!

**Disposal**

WEEE number according to § 6 para. 3
ElektroG: 40951076

Safety warnings

- / Before initial operation, please make sure to follow all safety instructions that may be provided in the product information.
- / Never use these devices in applications where the safety of a person depends on their functionality.