

AE000034

Accessories • LED light - mounting

Accessories lights, mounting bracket, 62x58mm, steel



Accessories lights, mounting bracket,62x58mm, steel

Mechanical features

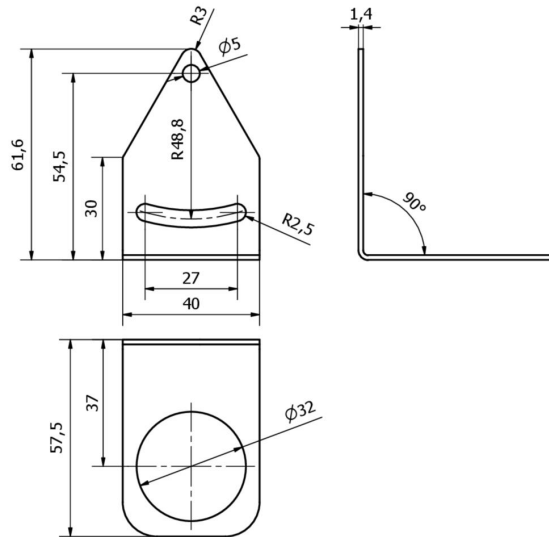
Height	62 mm
Material	Stainless steel

Classification

ETIM 8	EC002625 Mounting accessories (control cabinet)
--------	---

More

IPF Product Group	900 accessories
packaging dimensions	180 x 90 x 70 mm
gross weight	35 g
Customs tariff number	73269098
WEEE number	40951076
Reach-compliant	Yes
RoHS-compliant	Yes

Dimensional drawing**Installation**

Mounting / installation may only be carried out by a qualified electrician!

**Disposal**

WEEE number according to § 6 para. 3
ElektroG: 40951076

Safety warnings

- / Before initial operation, please make sure to follow all safety instructions that may be provided in the product information.
- / Never use these devices in applications where the safety of a person depends on their functionality.