

## AE000039

### Accessories • LED light - mounting

Light up accessories, mounting parts/set, mounting material for light, plastic

including Screw



The AE000039 screwable base is used to attach the EAKF series articulated arm lights directly to a table top or workbench. This product is used when the table clamp bracket supplied with the lights cannot be attached.

#### Mechanical features

Diameter of screw-on mounting	6.4
Mounting method	Screw mounting
Material	Plastic

#### Other features

Suitable for	EAKF articulated arm light
--------------	----------------------------

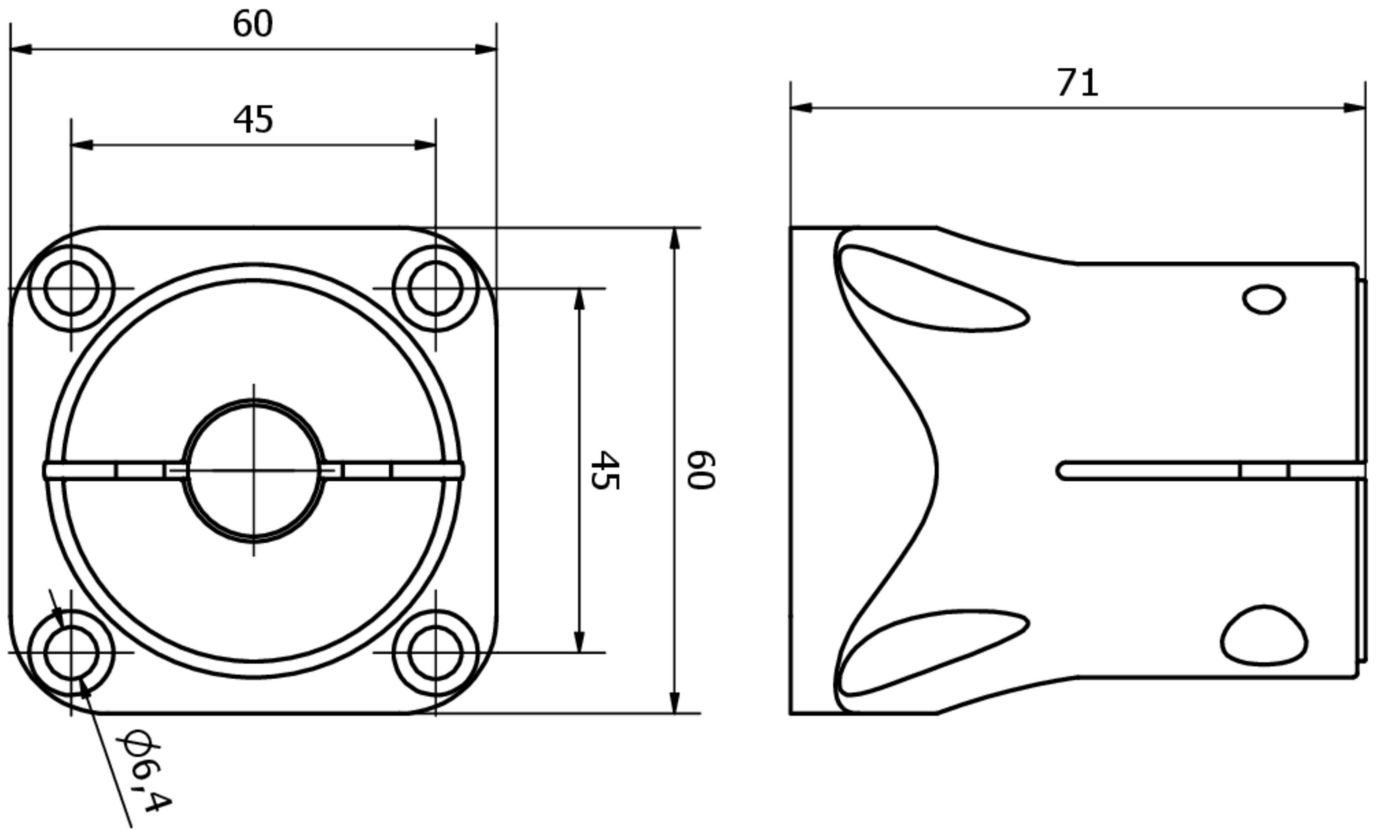
#### Classification

ETIM 8
--------

#### More

IPF Product Group	900 accessories
packaging dimensions	105 x 95 x 62 mm
gross weight	188 g
Customs tariff number	39269097
WEEE number	40951076
Reach-compliant	Yes
RoHS-compliant	Yes

**Dimensional drawing**



**Installation**

Mounting / installation may only be carried out by a qualified electrician!



**Disposal**

WEEE number according to § 6 para. 3  
ElektroG: 40951076

**Safety warnings**

- / Before initial operation, please make sure to follow all safety instructions that may be provided in the product information.
- / Never use these devices in applications where the safety of a person depends on their functionality.