

AE000046

Accessories • LED light - Sheath

Mounting accessories, end cap for sheath AO000672, packaging unit 2 pieces, 55x19x13.5mm, plastic



The end cap prevents the ingress of moisture and dirt

Mechanical features

Width	19 mm
Height	13.5 mm
Length	55 mm
Material	Plastic (PA)
ardSOCA_Abmessungen	55x19x13.5mm

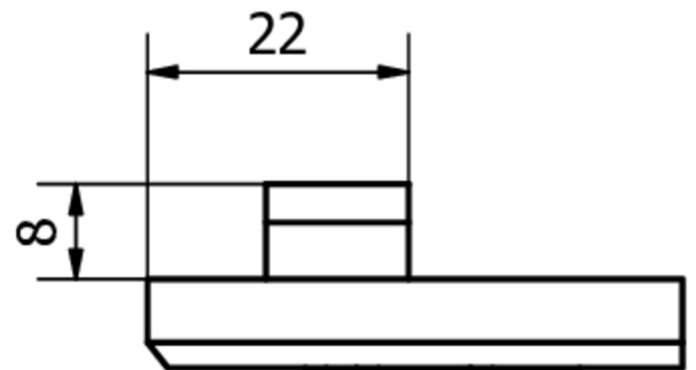
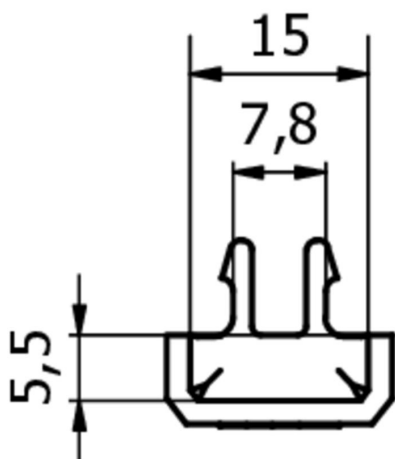
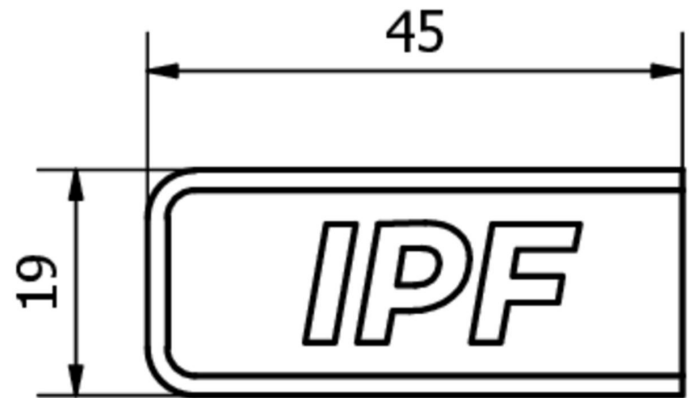
Classification

ETIM 8

More

IPF Product Group	900 accessories
packaging dimensions	120 x 100 x 17 mm
gross weight	9 g
Customs tariff number	39269097
WEEE number	40951076
Reach-compliant	Yes
RoHS-compliant	Yes

Dimensional drawing



Installation

Mounting / installation may only be carried out by a qualified electrician!



Disposal

WEEE number according to § 6 para. 3
ElektroG: 40951076

Safety warnings

- / Before initial operation, please make sure to follow all safety instructions that may be provided in the product information.
- / Never use these devices in applications where the safety of a person depends on their functionality.