

AF000005

Accessories • Filling level - screw-in sleeve

Accessories, mounting sleeve, 1 1/4" NPT, PTFE for design M30



Mechanical features

Type of process connection	1 1/4" NPT
Installation depth	53 mm
Length	65 mm
Mounting method	Screw mounting
Wrench size	44 mm
Housing material	Polytetrafluorethylene (PTFE)

Other features

Suitable for	Bauform M30
Version	Mounting sleeve

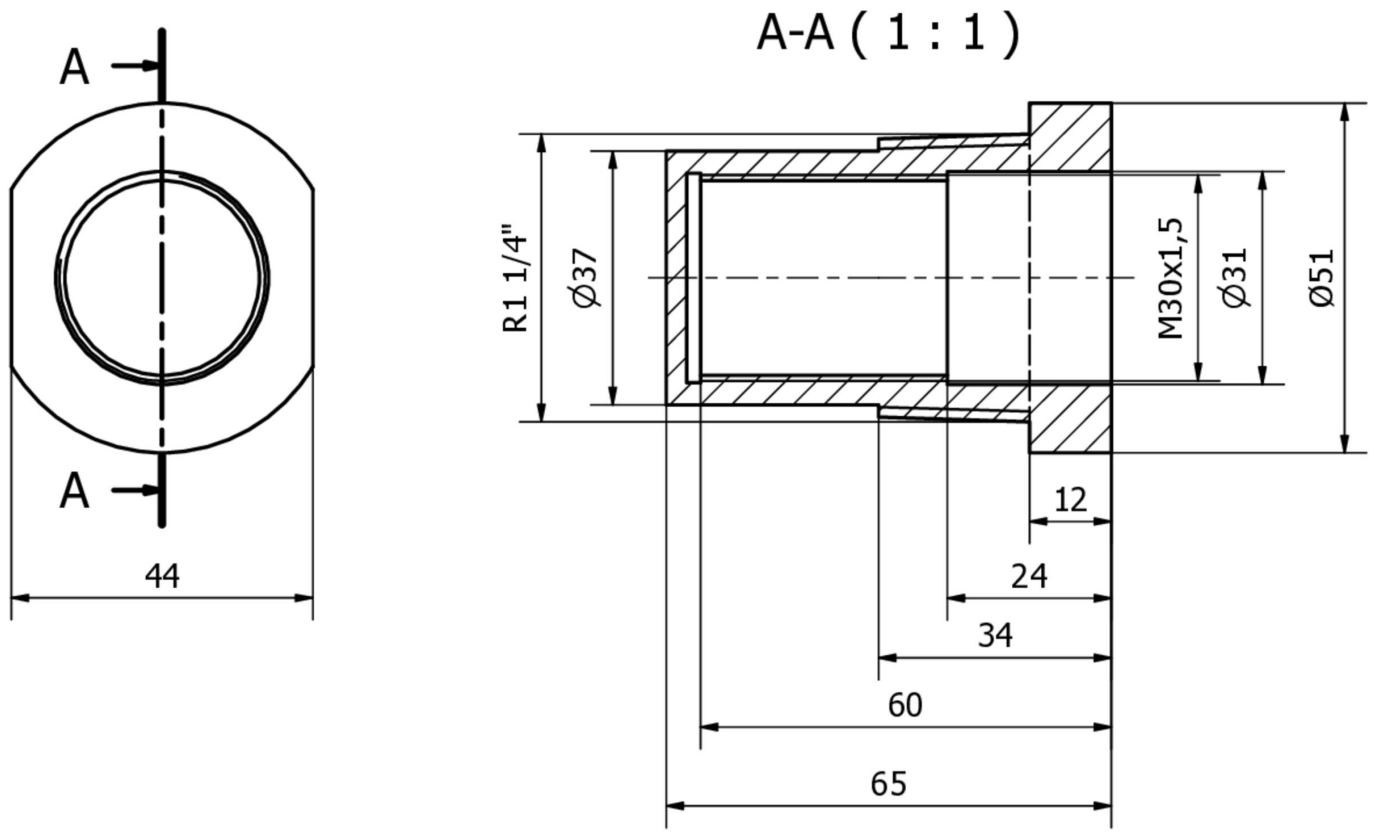
Classification

ETIM 8

More

IPF Product Group	900 accessories
packaging dimensions	150 x 100 x 52 mm
gross weight	92 g
Customs tariff number	85389099
WEEE number	40951076
Reach-compliant	Yes
RoHS-compliant	Yes

Dimensional drawing



Installation

Mounting / installation may only be carried out by a qualified electrician!



Disposal

WEEE number according to § 6 para. 3
ElektroG: 40951076

Safety warnings

- / Before initial operation, please make sure to follow all safety instructions that may be provided in the product information.
- / Never use these devices in applications where the safety of a person depends on their functionality.