

AL000001

Accessories • Fiber optics Plastic fiber attachment optics

accessories fiber optic, Optic top part, barrier, M2.6x0.45 8,7long, Internal thread, Glass



Mechanical features

Design	Internal thread
Diameter	4.5 mm
Thread pitch	0.45 mm
Length	8.7 mm
Active area material of sensor	glass
Thread dimension	M2.6

Other features

Suitable for through-beam sensors	Yes
-----------------------------------	-----

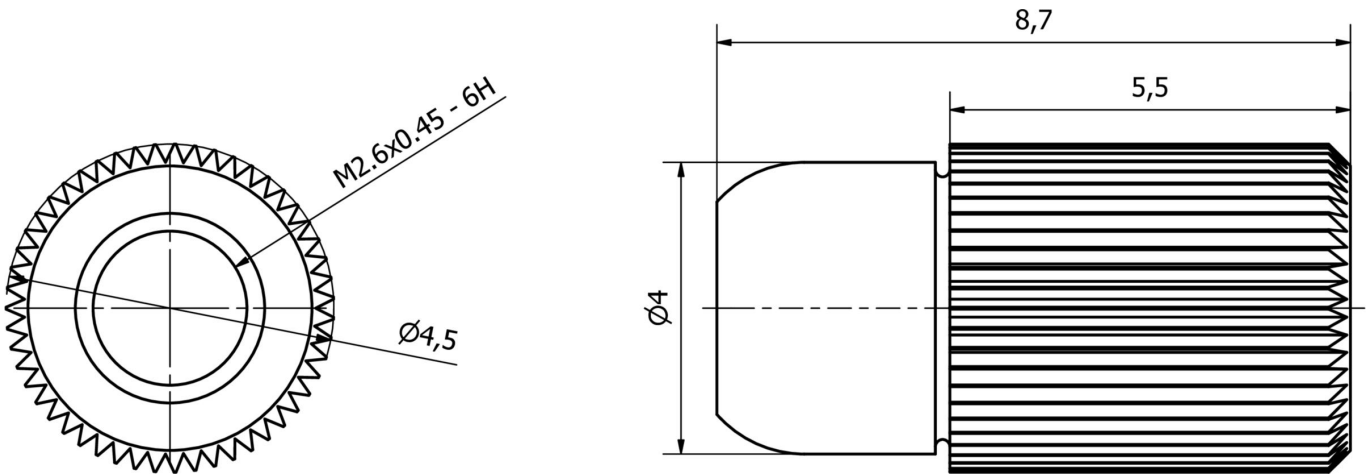
Classification

ETIM 8	EC002609 Accessories/spare parts for fiber optic technology
--------	---

More

IPF Product Group	900 accessories
packaging dimensions	100 x 70 x 4 mm
gross weight	2 g
Customs tariff number	90029000
WEEE number	40951076
Reach-compliant	Yes
RoHS-compliant	Yes

Dimensional drawing



Installation

Mounting / installation may only be carried out by a qualified electrician!



Disposal

WEEE number according to § 6 para. 3
ElektroG: 40951076

Safety warnings

- / Before initial operation, please make sure to follow all safety instructions that may be provided in the product information.
- / Never use these devices in applications where the safety of a person depends on their functionality.