

# AL000008

## Accessories • Attachment optics

accessories fiber optic, End piece, barrier, M4x0.7 21long, Simplex, External thread, Stainless steel

including Nut, Washer



### Mechanical features

Design	Cylinder, screw-thread
Diameter	4 mm
Thread pitch	0.7 mm
Length	21 mm
Material	Stainless steel
Thread dimension	M4

### Other features

Suitable for through-beam sensors	Yes
Version	End piece

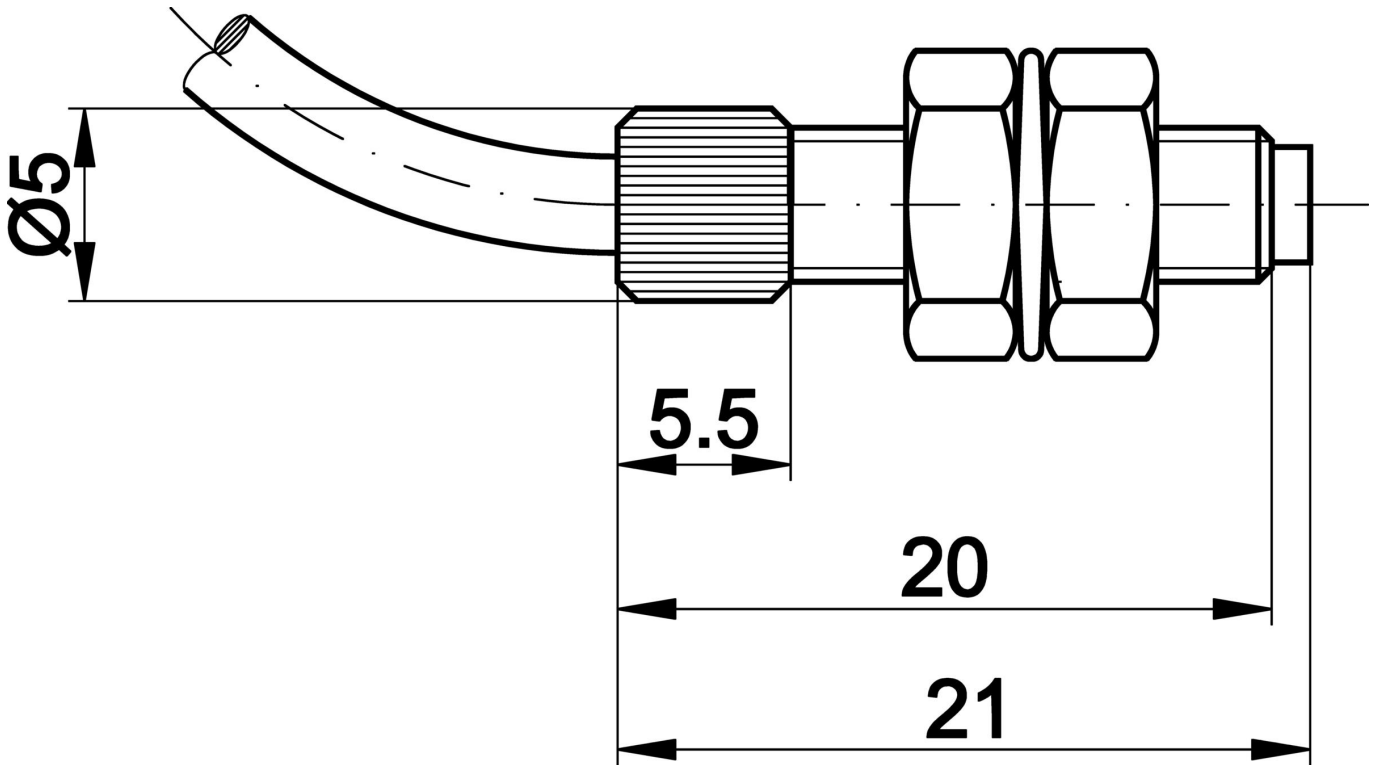
### Classification

ETIM 8	EC002609 Accessories/spare parts for fiber optic technology
--------	---

### More

IPF Product Group	900 accessories
packaging dimensions	120 x 100 x 3 mm
gross weight	5 g
Customs tariff number	73181900
WEEE number	40951076
OzDS-compliant	Yes
POP-compliant	Yes
Reach-compliant	Yes
RoHS-compliant	Yes

**Dimensional drawing**



**Installation**

Mounting / installation may only be carried out by a qualified electrician!



**Disposal**

WEEE number according to § 6 para. 3  
ElektroG: 40951076

**Safety warnings**

/ Before initial operation, please make sure to follow all safety instructions that may be provided in the product information.

/ Never use these devices in applications where the safety of a person depends on their functionality.