

AL000009

Accessories • Fiber optics - add-on lenses

accessories fiber optic, Lens, barrier, M4x0.7 21long, Simplex, External thread, Stainless steel+Glass

including Nut, Toothed washer



Mechanical features

Design	Cylinder, screw-thread
Diameter	4 mm
Thread pitch	0.7 mm
Length	21 mm
Active area material of sensor	glass
Housing material	Stainless steel
Thread dimension	M4

Other features

Suitable for through-beam sensors	Yes
-----------------------------------	-----

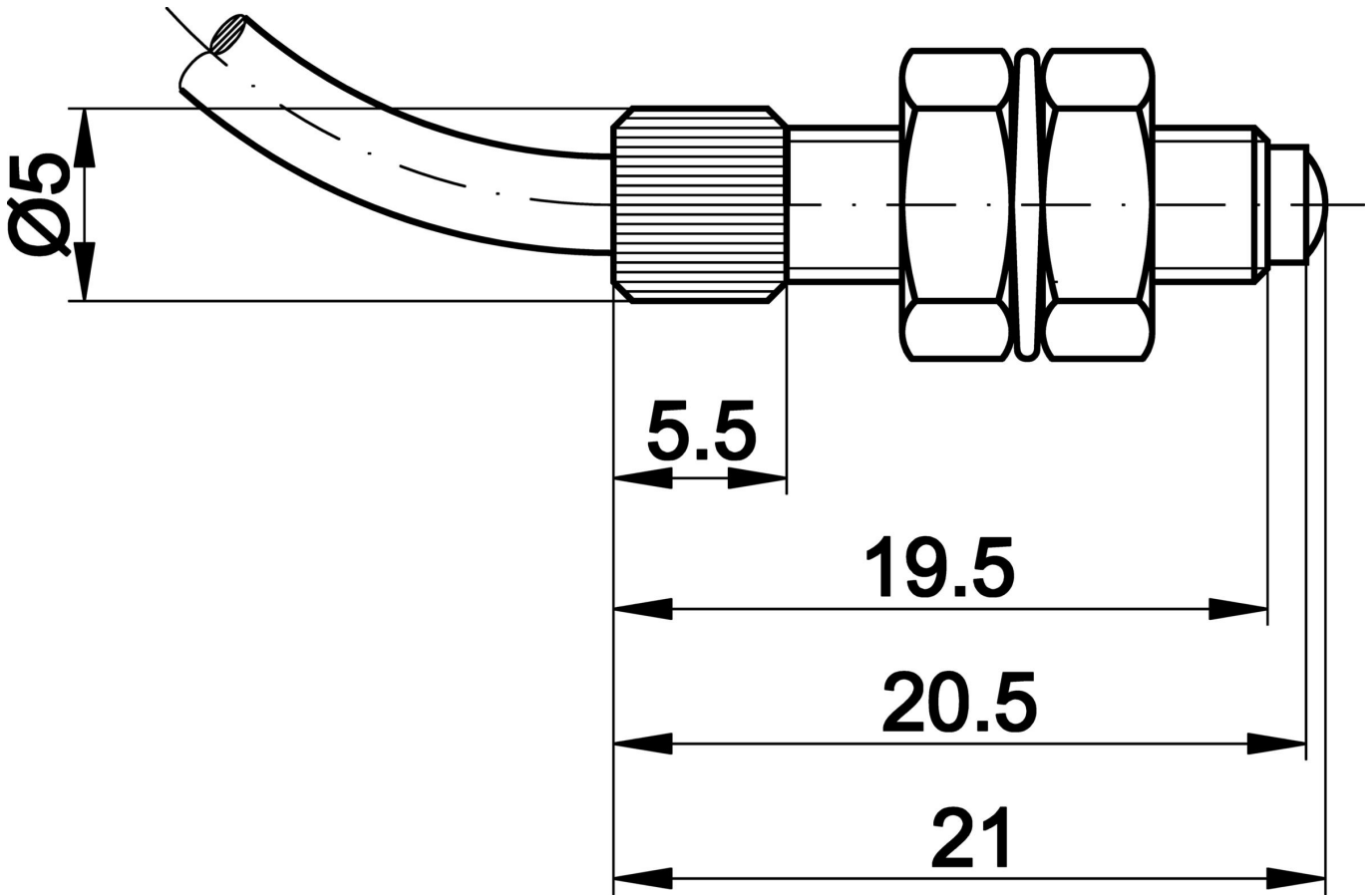
Classification

ETIM 8	EC002609 Accessories/spare parts for fiber optic technology
--------	---

More

IPF Product Group	900 accessories
packaging dimensions	120 x 100 x 2 mm
gross weight	10 g
Customs tariff number	90029000
WEEE number	40951076
OzDS-compliant	Yes
POP-compliant	Yes
Reach-compliant	Yes
RoHS-compliant	Yes

Dimensional drawing



Installation

Mounting / installation may only be carried out by a qualified electrician!



Disposal

WEEE number according to § 6 para. 3
ElektroG: 40951076

Safety warnings

/ Before initial operation, please make sure to follow all safety instructions that may be provided in the product information.

/ Never use these devices in applications where the safety of a person depends on their functionality.