

AL000013

Connection technology • Cable sockets / connectors pre-assembled on one side

Accessories, fiber optics, cable, 2m, blade terminal socket 3-pin straight, free cable tail, 3-wire, PUR (polyurethane), Ø3mm, plastic, welding area



ipf cable sockets are used primarily for establishing the electrical connection of sensors. Their features are characterized by rugged design, the highest protection classes (IP67 | IP68 | IP69K) and, if desired, with 360° shielding. With the features: bus-ready, suitable for use with drag chains and robots, resistance to oil and chemicals, resistance to welding sparks, their resistance to cleaning agents or high-pressure and steam-jet cleaning, the expanded temperature range of up to +230°C, the rapid interconnection technology and special data transmission properties, the cable sockets meet all requirements in automation technology.

Electrical features

Type of plug-in contact, A connection	Female (socket)
Type of A electrical connection	Blade terminal
Type of B electrical connection	Free conductor end
Number of pins of A connection	3

Mechanical features

Number of cores	3
Cable length	2 m
Cable infeed of A connection	straight
Housing material	Plastic
Material of cable sheath	Plastic (PUR)
Perm. ambient temperature of cable, flexible cable	-10 - 55 °C
Suitable for trailing chain	Yes
Ambient temperature	-10 - 55 °C
Line diameter	3 mm

Other features

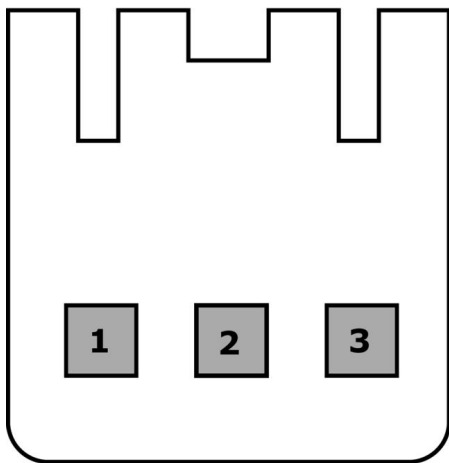
Flame retardant	No
-----------------	----

Classification

ETIM 8	EC001855 Assembled sensor-actuator cable
--------	--

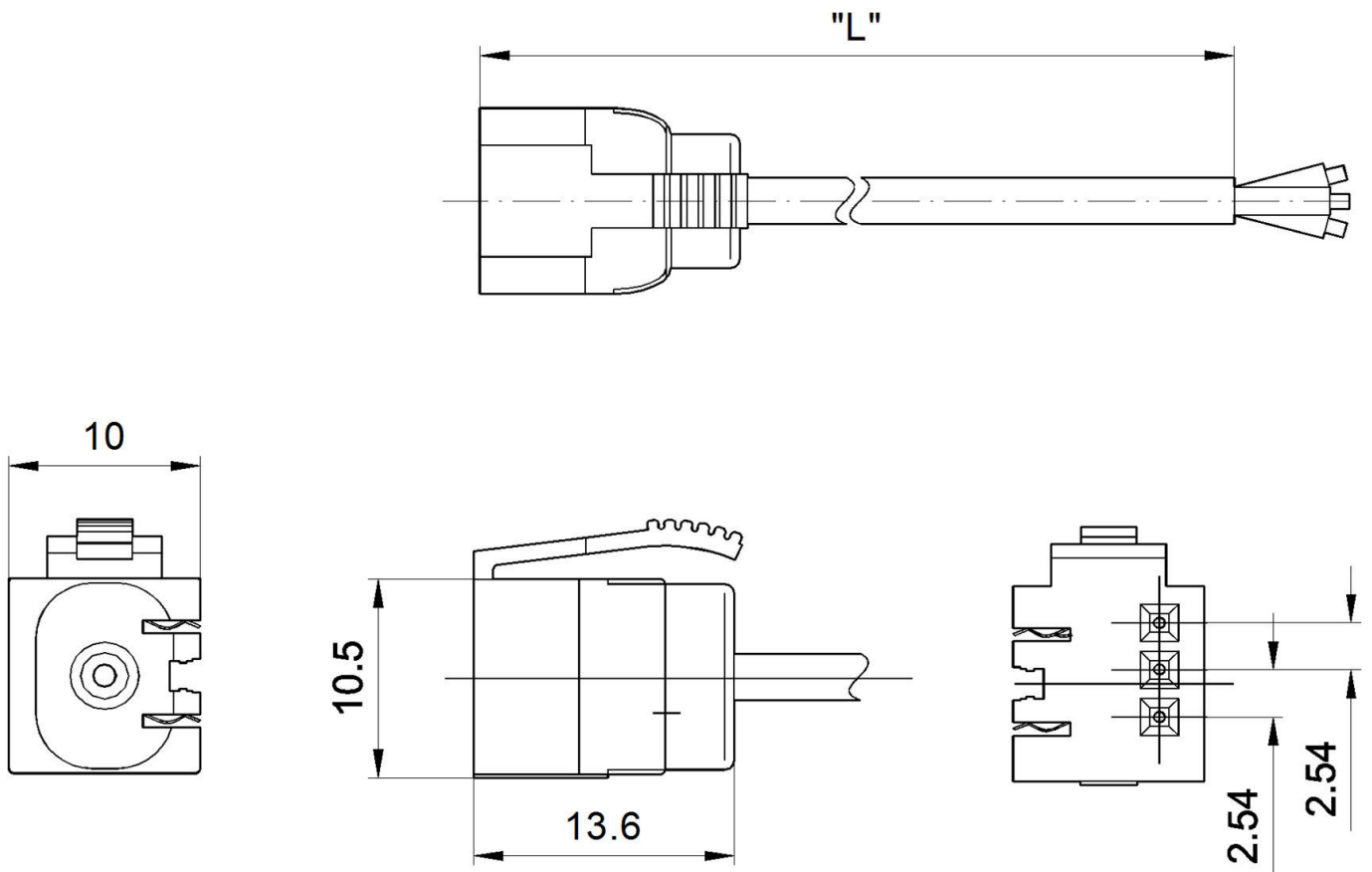
More

IPF Product Group	900 accessories
packaging dimensions	200 x 150 x 13 mm
gross weight	36 g
Customs tariff number	85444290
WEEE number	40951076
OzDS-compliant	Yes
POP-compliant	Yes
Reach-compliant	Yes
RoHS-compliant	Yes

Connection**socket**

- 1** brown
- 2** black
- 3** blue

Dimensional drawing



Installation

Mounting / installation may only be carried out by a qualified electrician!



Disposal

WEEE number according to § 6 para. 3
ElektroG: 40951076

Safety warnings

/ Before initial operation, please make sure to follow all safety instructions that may be provided in the product information.

/ Never use these devices in applications where the safety of a person depends on their functionality.