

AL000019

Accessories • Fiber optics Plastic fiber attachment optics

accessories fiber optic, Optic top part, barrier, M2.6x0.45 9,2long, Internal thread, Brass+Glass



Mechanical features

Design	Internal thread
Diameter	4.3 mm
Housing coating	nickel-plated
Thread pitch	0.45 mm
Length	9.2 mm
Active area material of sensor	glass
Housing material	Brass
Thread dimension	M2.6

Other features

Suitable for through-beam sensors	Yes
-----------------------------------	-----

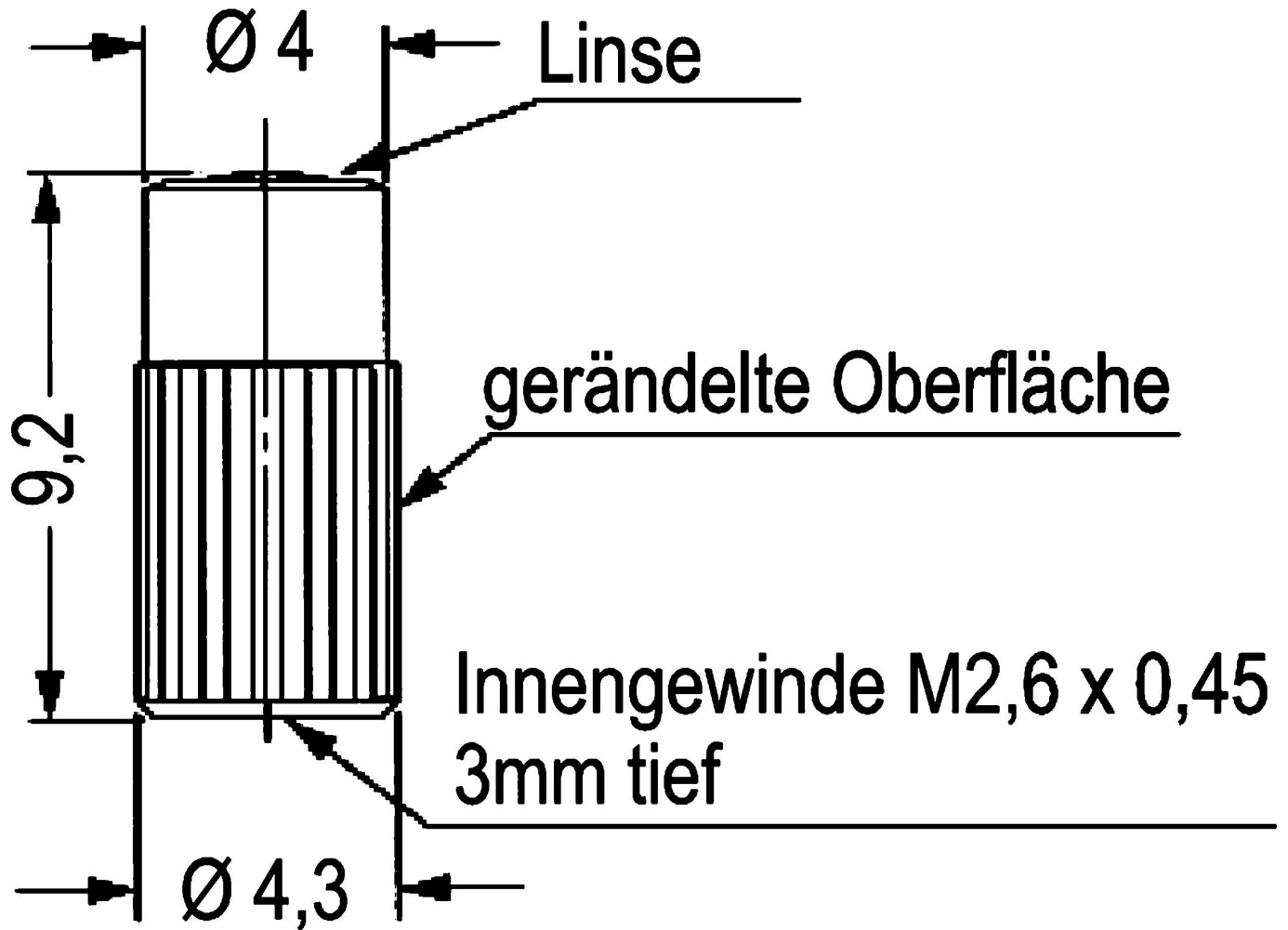
Classification

ETIM 8	EC002609 Accessories/spare parts for fiber optic technology
--------	---

More

IPF Product Group	900 accessories
packaging dimensions	120 x 100 x 5 mm
gross weight	2 g
Customs tariff number	90029000
WEEE number	40951076
OzDS-compliant	Yes
POP-compliant	Yes
Reach-compliant	Yes
RoHS-compliant	Yes

Dimensional drawing



Installation

Mounting / installation may only be carried out by a qualified electrician!



Disposal

WEEE number according to § 6 para. 3
ElektroG: 40951076

Safety warnings

/ Before initial operation, please make sure to follow all safety instructions that may be provided in the product information.

/ Never use these devices in applications where the safety of a person depends on their functionality.