

AL000036

Accessories • Color sensor - zoom lens

accessories fiber optic, Lens, zoom lens, diffuse-reflection sensor, color detection, M12x1 60long, für Diffuse reflection sensor, External thread, Sn: 10-20, Aluminum+Glass

including Nut



Electrical features

Switching distance	10 - 20 mm
--------------------	------------

Mechanical features

Design	Cylinder, screw-thread
Diameter	15 mm
Housing coating	Anodized
Thread pitch	1 mm
Length	60 mm
Active area material of sensor	glass
Housing material	Aluminum
Thread dimension	M12

Other features

Suitable for	Diffuse reflection sensor
--------------	---------------------------

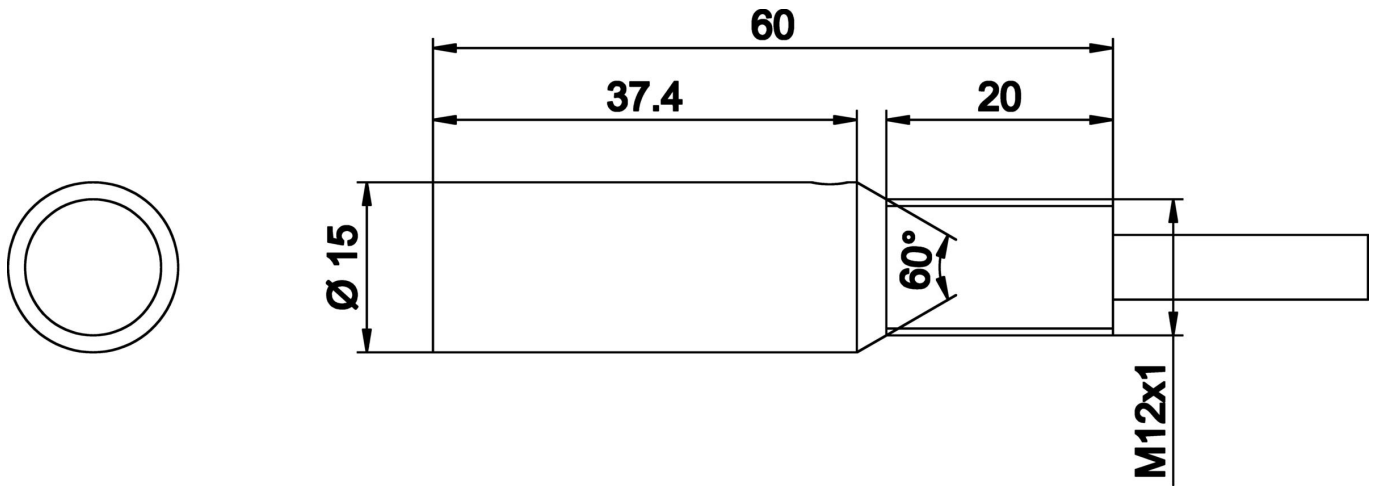
Classification

ETIM 8	EC002609 Accessories/spare parts for fiber optic technology
--------	-------------------------------------------------------------

More

IPF Product Group	900 accessories
packaging dimensions	123 x 77 x 25 mm
gross weight	30 g
Customs tariff number	90029000
WEEE number	40951076
POP-compliant	Yes
Reach-compliant	Yes
RoHS-compliant	Yes

Dimensional drawing



Extract accessories program

AY000162



Accessories, magnetic, Ø43mm, neodymium-iron-boron, inside thread M5, rubber

AY000159



accessories sensor, Mounting pipe, Ø12mm 200long, Aluminum Anodised

You can find further accessories on our homepage



Installation

Mounting / installation may only be carried out by a qualified electrician!



Disposal

WEEE number according to § 6 para. 3 ElektroG: 40951076

Safety warnings

/ Before initial operation, please make sure to follow all safety instructions that may be provided in the product information.

/ Never use these devices in applications where the safety of a person depends on their functionality.