

# AM000002

## Accessories • Magnets

Accessories, magnetic, Ø32mm 15long, strontium ferrite, internal hole Ø5.6mm, max. 130°C



### Electrical features

Internal hole diameter	5.6 mm
------------------------	--------

### Mechanical features

Design	Round
Diameter	32 mm
Length	15 mm
Mounting method	Screw mounting
Ambient temperature	0 - 130 °C
Magnet material	Strontium-ferrite

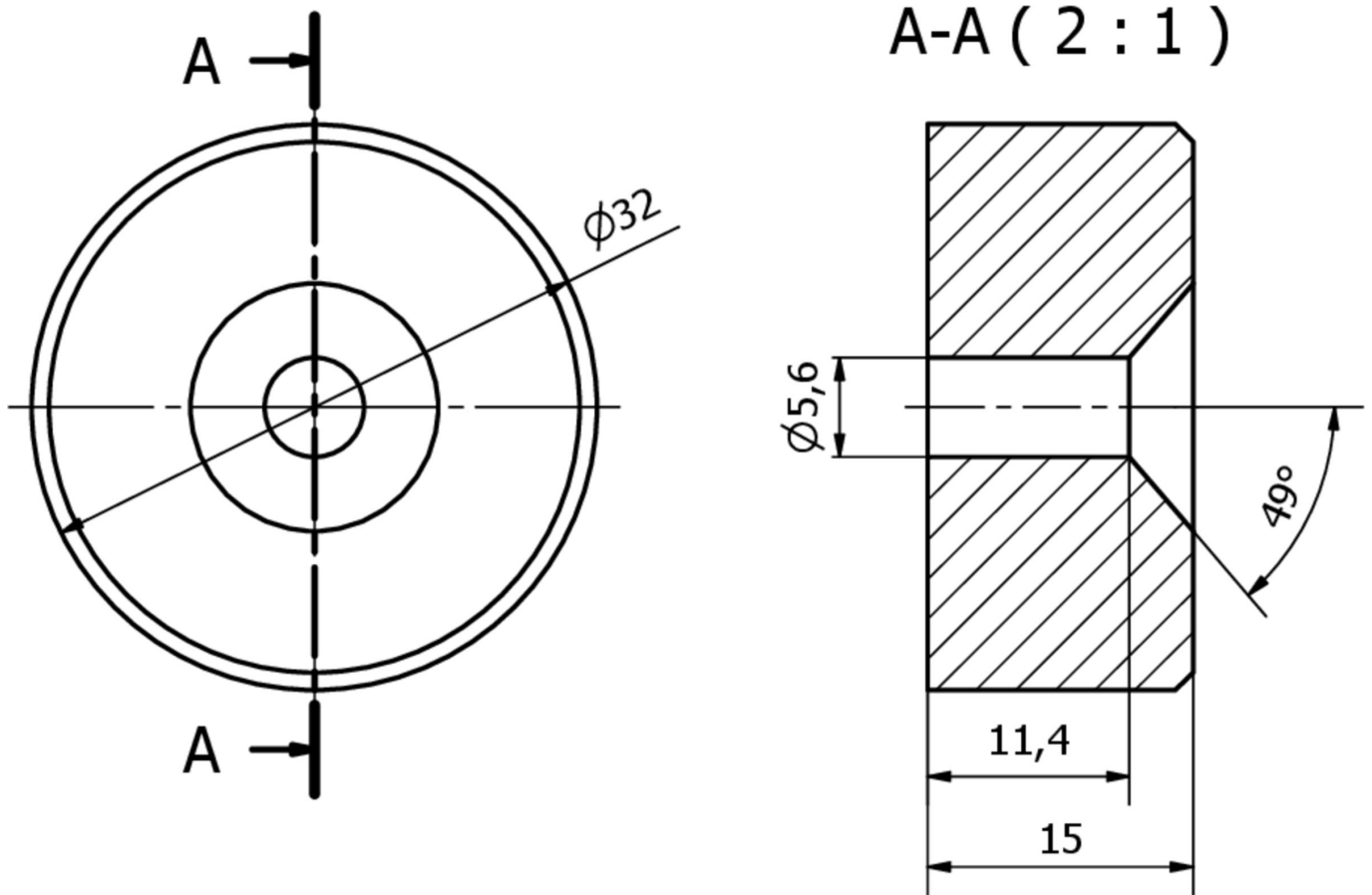
### Classification

ETIM 8	EC001769 Holding magnet for door hold-open system
--------	---

### More

IPF Product Group	900 accessories
packaging dimensions	165 x 100 x 21 mm
gross weight	60 g
Customs tariff number	85051910
WEEE number	40951076
OzDS-compliant	Yes
POP-compliant	Yes
Reach-compliant	Yes
RoHS-compliant	Yes

**Dimensional drawing**



**Installation**

Mounting / installation may only be carried out by a qualified electrician!



**Disposal**

WEEE number according to § 6 para. 3  
ElektroG: 40951076

**Safety warnings**

- / Before initial operation, please make sure to follow all safety instructions that may be provided in the product information.
- / Never use these devices in applications where the safety of a person depends on their functionality.
- / Very strong permanent magnets, fragile. Risk of injury during handling due to high attractive force. Risk of breakage if improperly unpacked. Keep away from pacemakers, magnetic data memories, electrical and electronic devices.