

## AM000023

### Accessories • Round cylinder mount

accessories magnetic, Mounting clip, 10mm wide, span 35.2-37mm, Plastic, For sensor 9round, for Cylinder, 35round, Screw mounting



#### Mechanical features

Width	10 mm
Diameter	35 mm
For sensor	9round
Mounting method	Screw mounting
Nominal diameter	35 mm
Span	35,2 - 37 mm
Material	Plastic
To fix to	Cylinder, 35round

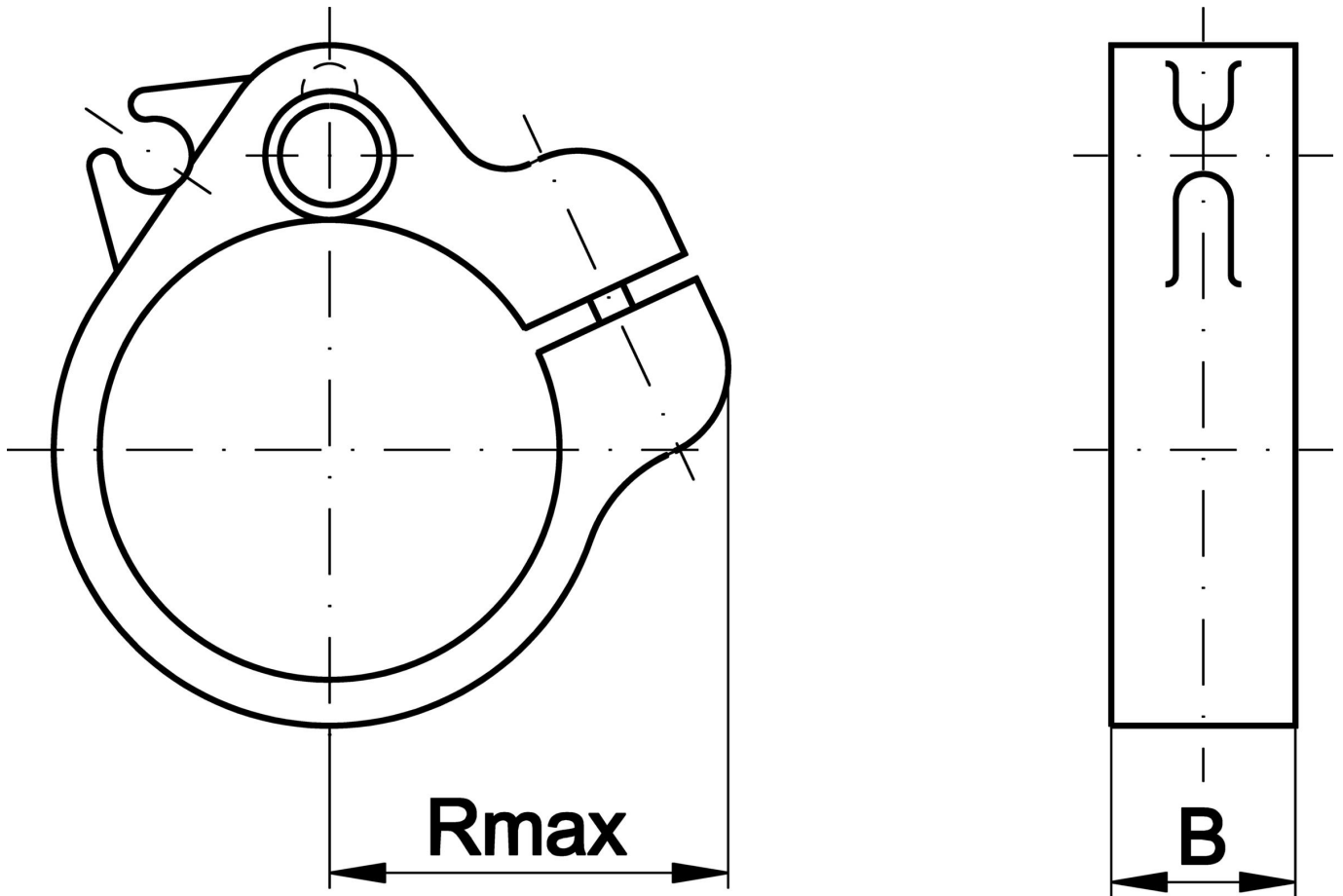
#### Classification

ETIM 8	EC000127 Fixing clamp for cables/tubes
--------	--

#### More

IPF Product Group	900 accessories
packaging dimensions	300 x 200 mm
gross weight	10 g
Customs tariff number	39269097
WEEE number	40951076
Reach-compliant	Yes
RoHS-compliant	Yes

**Dimensional drawing**



**Installation**

Mounting / installation may only be carried out by a qualified electrician!



**Disposal**

WEEE number according to § 6 para. 3  
ElektroG: 40951076

**Safety warnings**

/ Before initial operation, please make sure to follow all safety instructions that may be provided in the product information.

/ Never use these devices in applications where the safety of a person depends on their functionality.