

AM000029

Accessories • Round cylinder mount

accessories magnetic, Installation tape, 5mm wide, Span 16-28mm, For sensor MZR9, Stainless steel



Mechanical features

| | |
|---------------------------|---------------------|
| Width | 5 mm |
| For sensor | MZR9 |
| Maximum tightening torque | 4 Nm |
| Nominal diameter | 10 mm |
| Span | 16 - 28 mm |
| Material | Stainless steel |
| To fix to | Cylinder, 8/10round |
| Cylinder diameter | 10,5 - 12,5 mm |

Other features

| | |
|---------|--------|
| Version | Smooth |
|---------|--------|

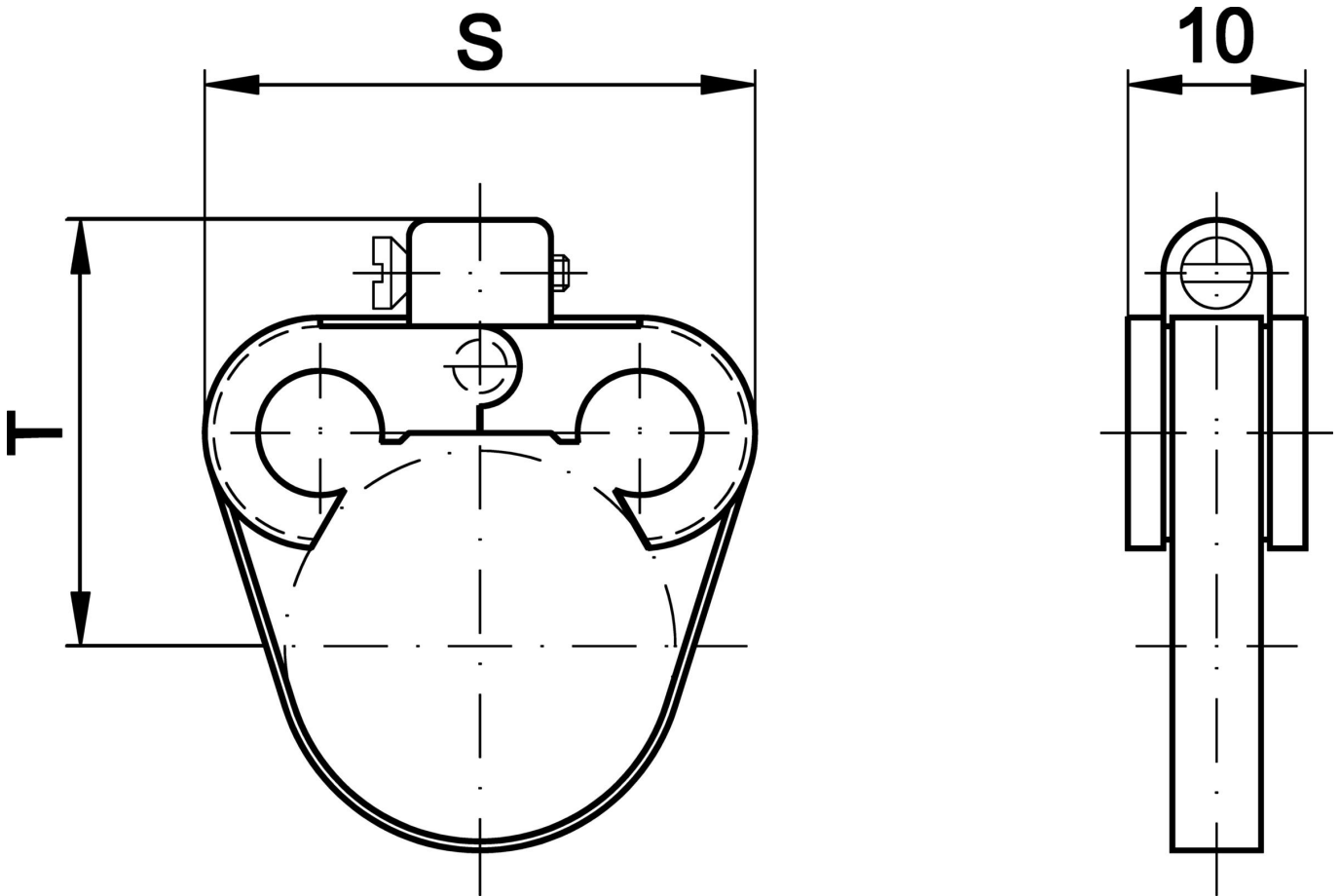
Classification

| | |
|--------|--|
| ETIM 8 | EC000127 Fixing clamp for cables/tubes |
|--------|--|

More

| | |
|-----------------------|-------------------|
| IPF Product Group | 900 accessories |
| packaging dimensions | 120 x 100 x 11 mm |
| gross weight | 10 g |
| Customs tariff number | 73269098 |
| WEEE number | 40951076 |
| Reach-compliant | Yes |
| RoHS-compliant | Yes |

Dimensional drawing



Installation

Mounting / installation may only be carried out by a qualified electrician!



Disposal

WEEE number according to § 6 para. 3
ElektroG: 40951076

Safety warnings

/ Before initial operation, please make sure to follow all safety instructions that may be provided in the product information.

/ Never use these devices in applications where the safety of a person depends on their functionality.