

# AM000041

## Accessories • Round cylinder mount

accessories magnetic, Mounting clip, 30x34x19mm, span 20.1-21.8mm, Plastic, For sensor MZ07, for Cylinder, 20round



### Mechanical features

Width	19 mm
For sensor	MZ07
Height	30 mm
Length	34 mm
Span	20,1 - 21,8 mm
Material	Plastic
To fix to	Cylinder, 20round
Ambient temperature	-20 - 70 °C

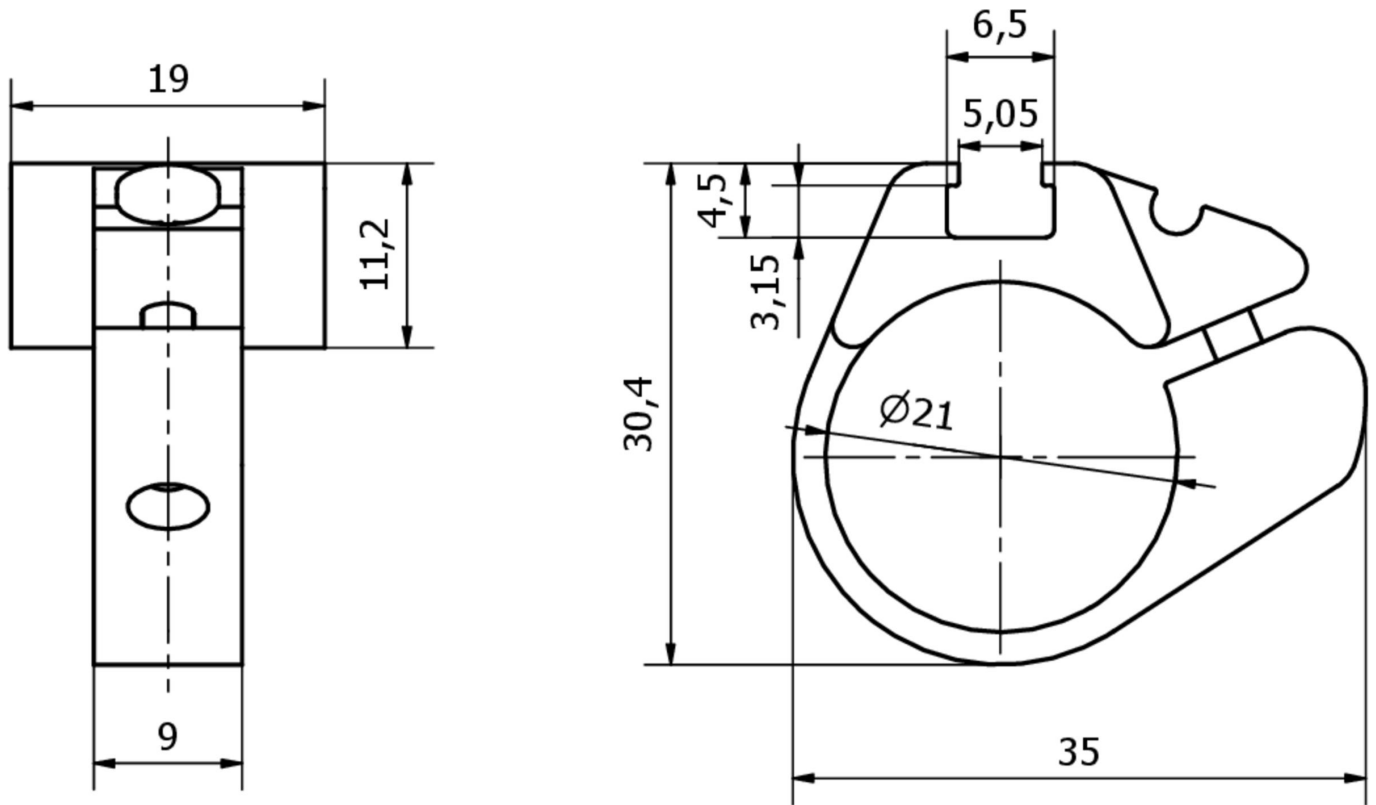
### Classification

ETIM 8	EC000127 Fixing clamp for cables/tubes
--------	--

### More

IPF Product Group	900 accessories
packaging dimensions	120 x 100 x 19 mm
gross weight	10 g
Customs tariff number	39269097
WEEE number	40951076
POP-compliant	Yes
Reach-compliant	Yes
RoHS-compliant	Yes

**Dimensional drawing**



**Installation**

Mounting / installation may only be carried out by a qualified electrician!



**Disposal**

WEEE number according to § 6 para. 3  
ElektroG: 40951076

**Safety warnings**

- / Before initial operation, please make sure to follow all safety instructions that may be provided in the product information.
- / Never use these devices in applications where the safety of a person depends on their functionality.