

AM000047

Accessories • Round cylinder mount

accessories magnetic, Mounting clip, 47x39x10mm, span 32.8-33.6mm, Plastic, For sensor 9round, for Cylinder, 32round



Mechanical features

Width	10 mm
For sensor	9round
Height	47 mm
Length	38.6 mm
Span	32,8 - 33,6 mm
Material	Plastic
To fix to	Cylinder, 32round
Ambient temperature	-20 - 70 °C

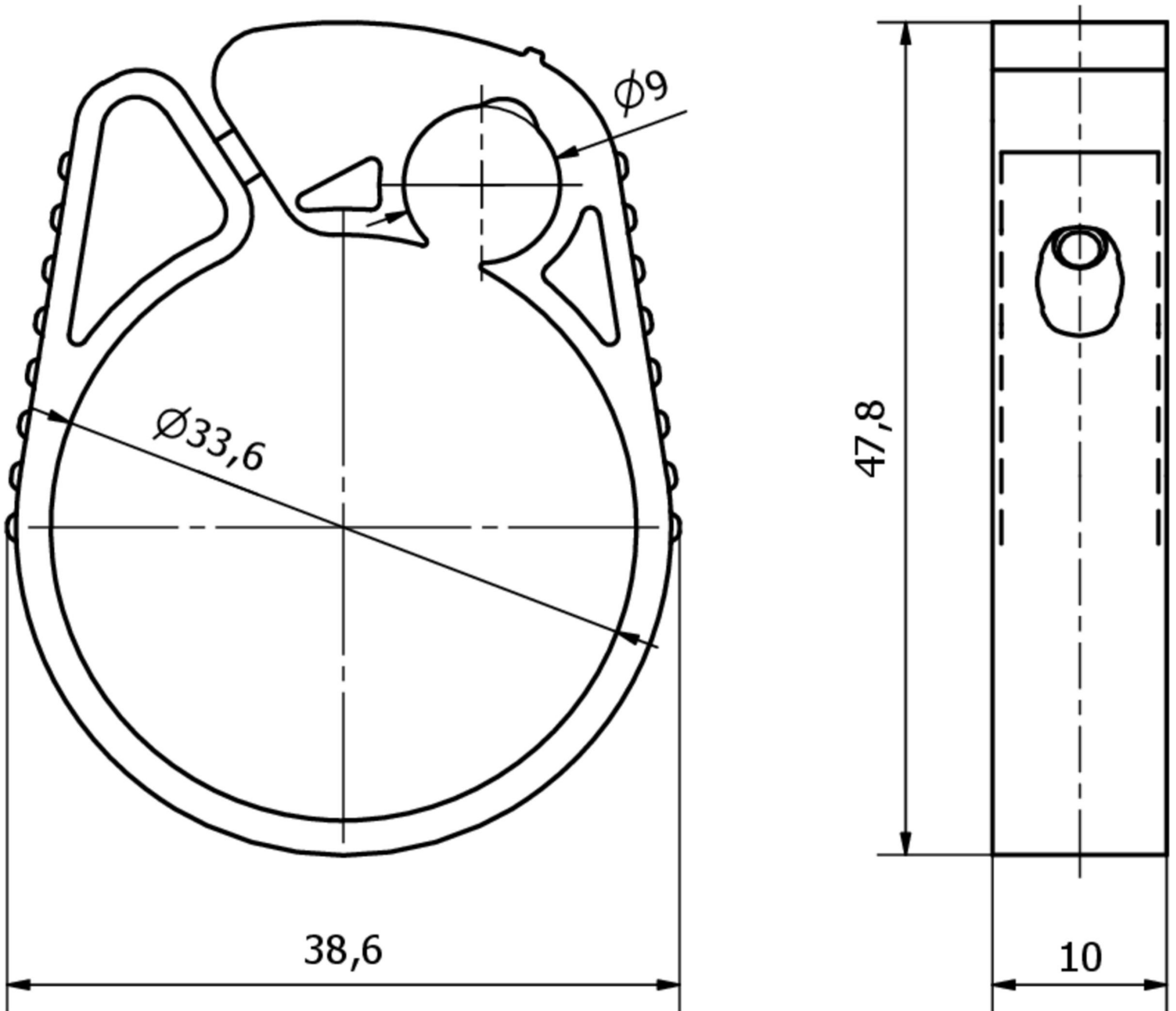
Classification

ETIM 8	EC000127 Fixing clamp for cables/tubes
--------	--

More

IPF Product Group	900 accessories
packaging dimensions	120 x 100 x 10 mm
gross weight	10 g
Customs tariff number	39269097
WEEE number	40951076
POP-compliant	Yes
Reach-compliant	Yes
RoHS-compliant	Yes

Dimensional drawing



Installation

Mounting / installation may only be carried out by a qualified electrician!



Disposal

WEEE number according to § 6 para. 3
ElektroG: 40951076

Safety warnings

/ Before initial operation, please make sure to follow all safety instructions that may be provided in the product information.

/ Never use these devices in applications where the safety of a person depends on their functionality.