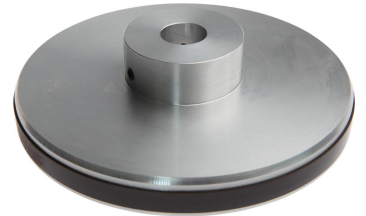


## AM000056

### Accessories • Displacement and angular measurement - Magnetic rings

accessories magnetic, Magnet ring, Ø153mm, Hole diameter 20, Pin length 3.2mm, 150pin, Aluminum



#### Electrical features

Pin length	3.2 mm
Number of pins	150

#### Mechanical features

Diameter	153 mm
Hole diameter	20 mm
Material	Aluminum

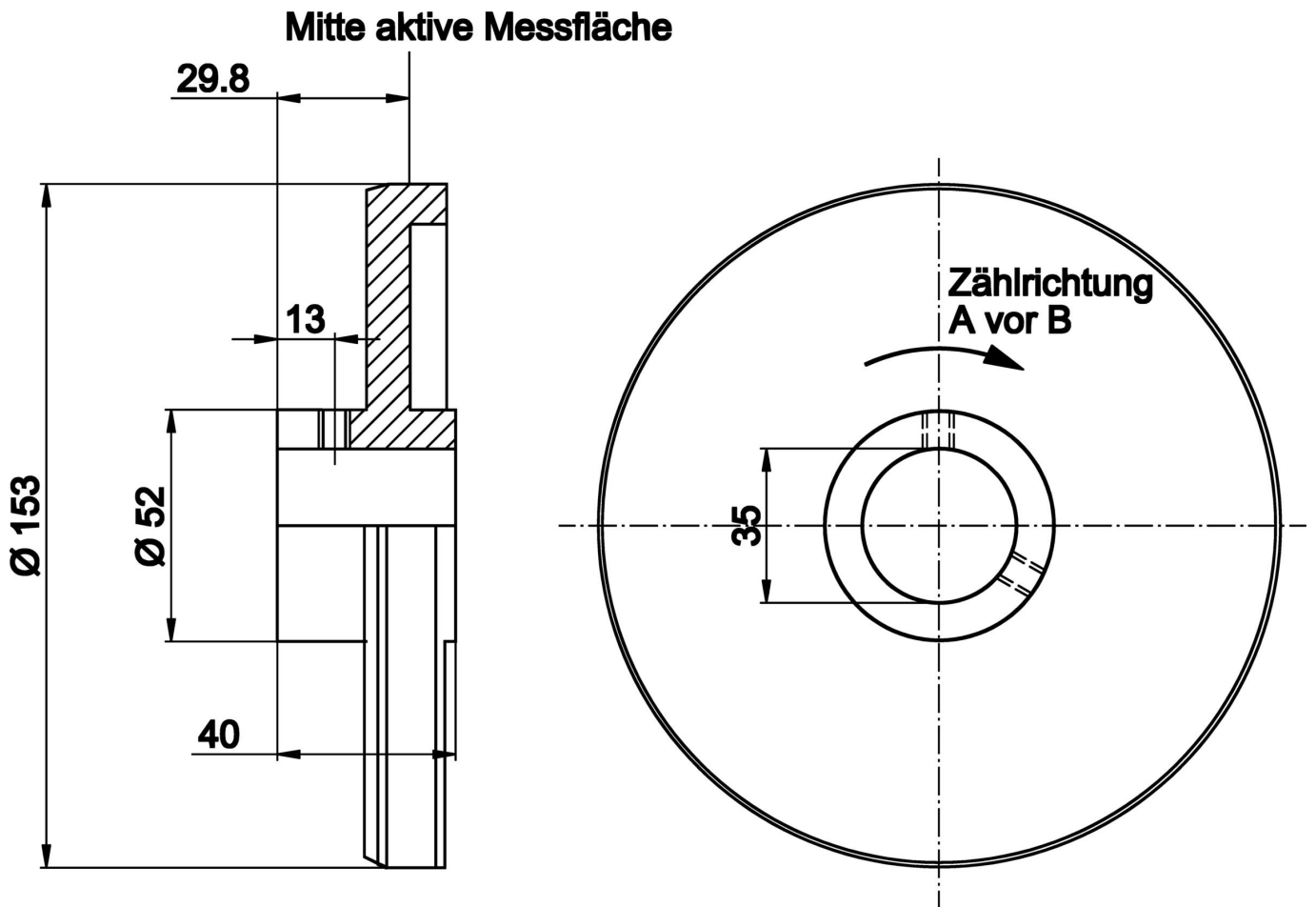
#### Classification

ETIM 8	EC002179 Measuring wheel
--------	--------------------------

#### More

IPF Product Group	900 accessories
packaging dimensions	229 x 224 x 104 mm
gross weight	889 g
Customs tariff number	85051990
WEEE number	40951076
Reach-compliant	Yes
RoHS-compliant	Yes

Dimensional drawing



**Installation**

Mounting / installation may only be carried out by a qualified electrician!



**Disposal**

WEEE number according to § 6 para. 3  
ElektroG: 40951076

**Safety warnings**

- /** Before initial operation, please make sure to follow all safety instructions that may be provided in the product information.
- /** Never use these devices in applications where the safety of a person depends on their functionality.