

AM000076

Accessories • Other fixing material

accessories magnetic, clamp, 4x6,2x6,2mm, aluminum



Mechanical features

Width	6.2 mm
For sensor	MZ07
Height	4 mm
Length	6.2 mm
Material	Aluminum

Other features

Version	Clamp
---------	-------

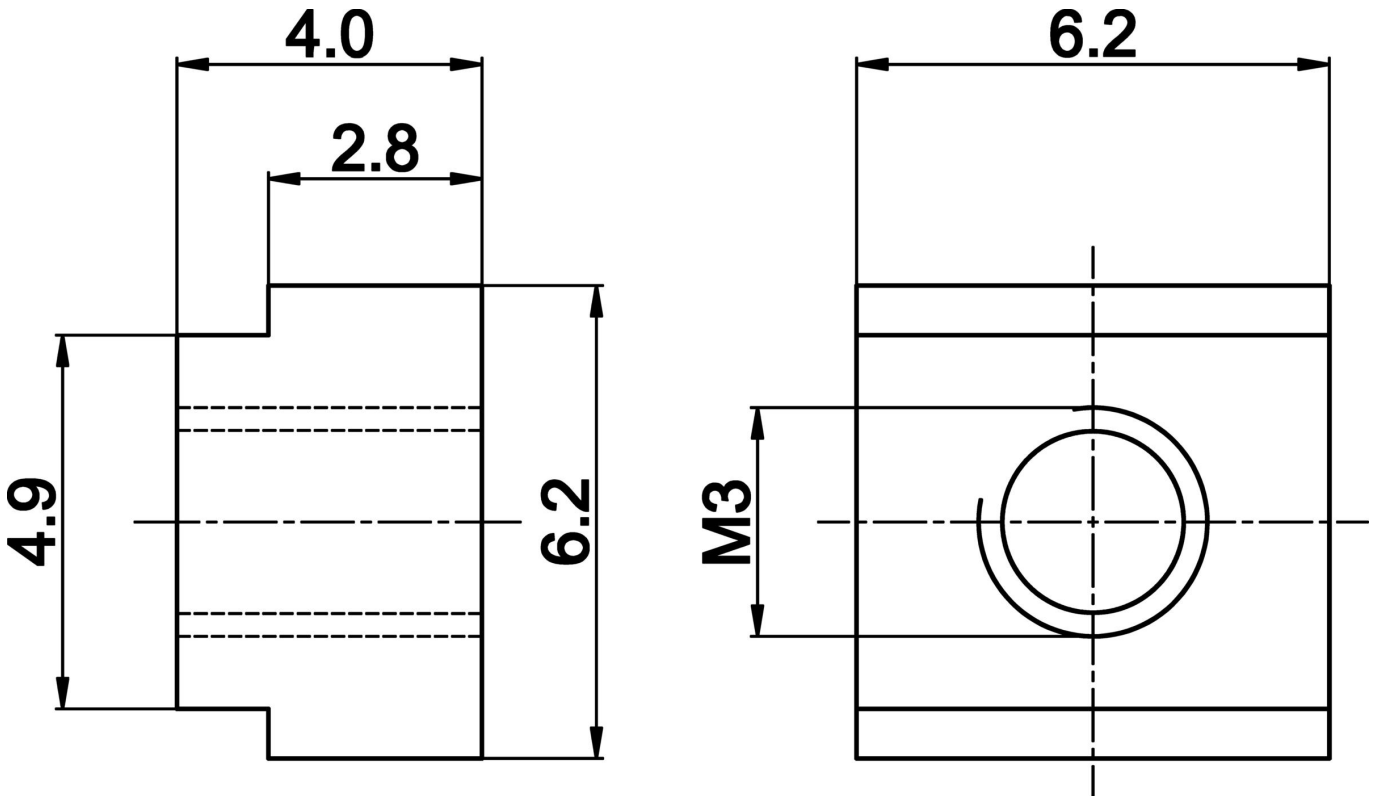
Classification

ETIM 8	EC002024 Accessories/spare parts for command devices
--------	--

More

IPF Product Group	900 accessories
packaging dimensions	100 x 70 x 10 mm
gross weight	7 g
Customs tariff number	79070000
WEEE number	40951076
Reach-compliant	Yes
RoHS-compliant	Yes

Dimensional drawing



Installation

Mounting / installation may only be carried out by a qualified electrician!



Disposal

WEEE number according to § 6 para. 3
ElektroG: 40951076

Safety warnings

- / Before initial operation, please make sure to follow all safety instructions that may be provided in the product information.
- / Never use these devices in applications where the safety of a person depends on their functionality.