

# AM000078

## Accessories • Screw

accessories sensor magnetic, Setscrew, M3x0.5 6long, Internal hexagon, Cylinder head, Hexagon socket wrench size 0.9, Brass Nickel-plated, Packaging unit 10



### Electrical features

Hexagon socket wrench size	0.9 mm
----------------------------	--------

### Mechanical features

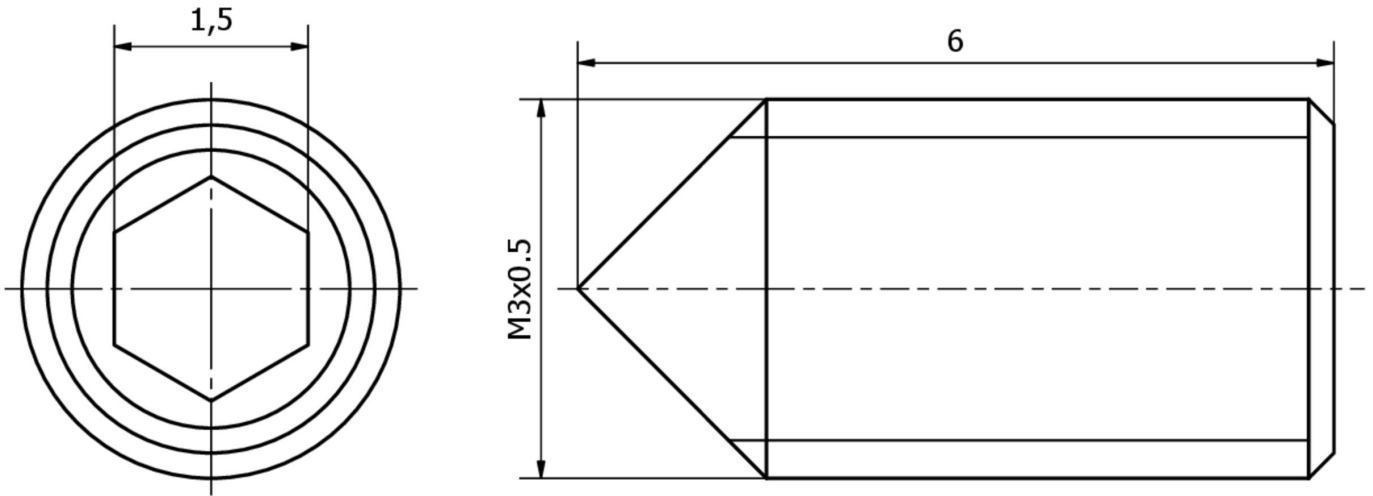
For sensor	MZ0701x6
Thread pitch	0.5 mm
Length	6 mm
Surface	nickel-plated
Screw system	Internal hexagon
Material	Brass
Thread dimension	M3

### Classification

ETIM 8	EC003861 Machine screw/bolt
--------	-----------------------------

### More

IPF Product Group	900 accessories
packaging dimensions	100 x 70 mm
gross weight	
Customs tariff number	73181562
WEEE number	40951076
Reach-compliant	Yes
RoHS-compliant	Yes

**Dimensional drawing****Installation**

Mounting / installation may only be carried out by a qualified electrician!

**Disposal**

WEEE number according to § 6 para. 3  
ElektroG: 40951076

**Safety warnings**

- / Before initial operation, please make sure to follow all safety instructions that may be provided in the product information.
- / Never use these devices in applications where the safety of a person depends on their functionality.