

AM000079

Accessories • Screw

accessories sensor magnetic, Untreated, Packaging unit 10, Setscrew, M2x0.4 4long, Internal hexagon, Cylinder head, Hexagon socket wrench size 0.9, Stainless steel



Electrical features

Hexagon socket wrench size	0.9 mm
----------------------------	--------

Mechanical features

For sensor	MZR401x8
Thread pitch	0.4 mm
Length	4 mm
Screw system	Internal hexagon
Material	Stainless steel
Thread dimension	M2

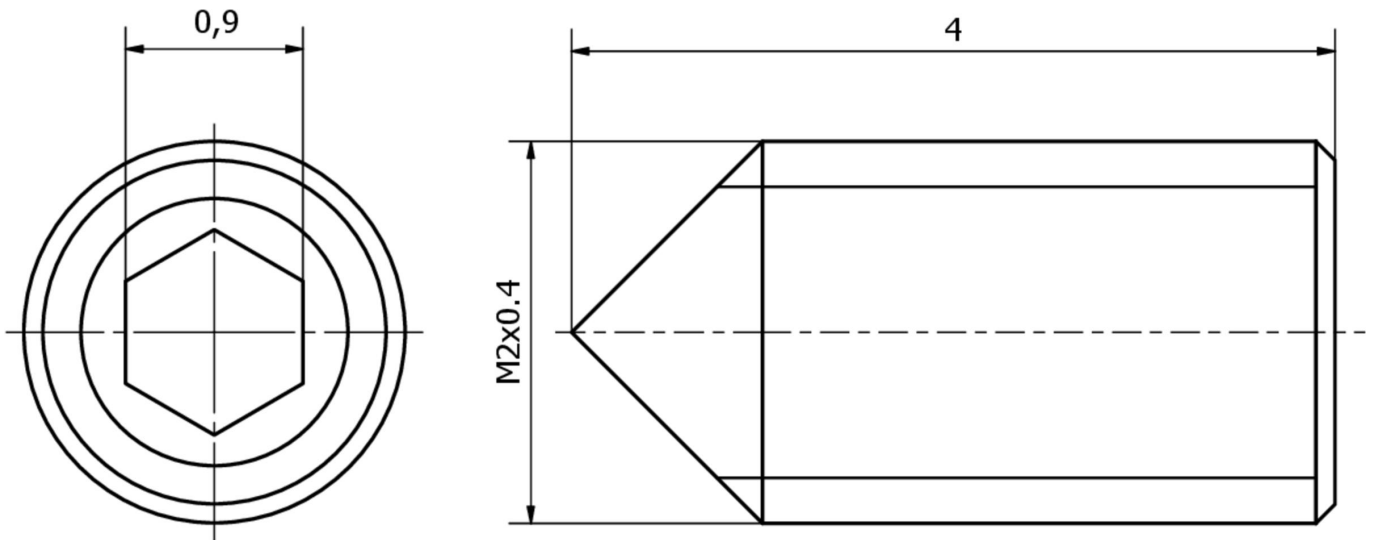
Classification

ETIM 8	EC003861 Machine screw/bolt
--------	-----------------------------

More

IPF Product Group	900 accessories
packaging dimensions	125 x 100 x 2 mm
gross weight	
Customs tariff number	73181562
WEEE number	40951076
Reach-compliant	Yes
RoHS-compliant	Yes

Dimensional drawing



Installation

Mounting / installation may only be carried out by a qualified electrician!



Disposal

WEEE number according to § 6 para. 3
ElektroG: 40951076

Safety warnings

- / Before initial operation, please make sure to follow all safety instructions that may be provided in the product information.
- / Never use these devices in applications where the safety of a person depends on their functionality.