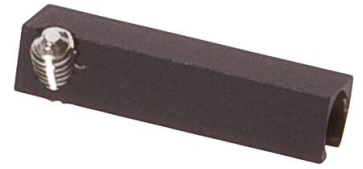


AM000081

Accessories • Housing

accessories magnetic, Adapter, 5x20x4,6mm, Aluminum



Mechanical features

Adaption	T-slot (6.2mm) - C-slot (3.6mm)
Width	4.6 mm
For sensor	MZ07
Height	5 mm
Length	20.5 mm
Material	Aluminum

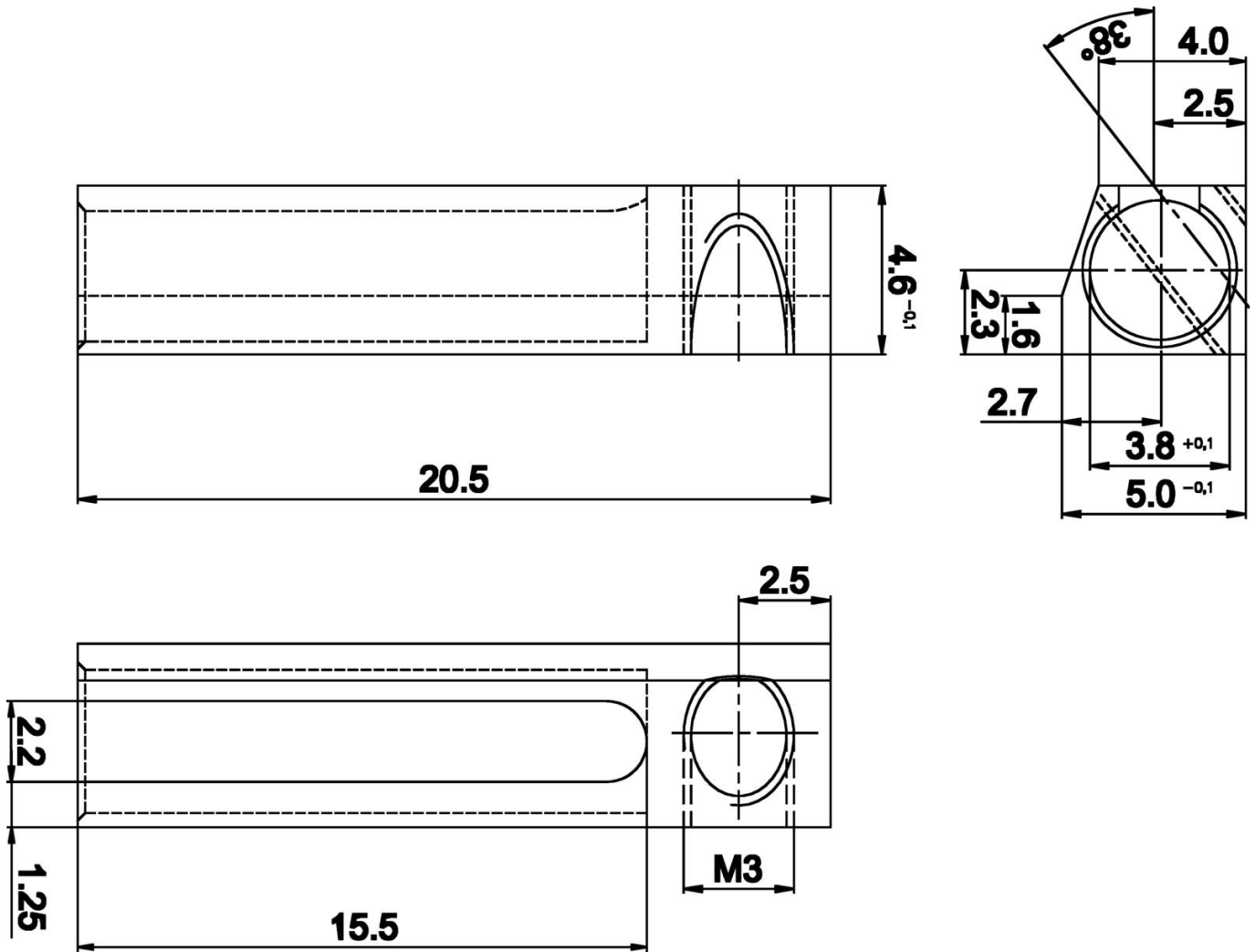
Classification

ETIM 8	EC002024 Accessories/spare parts for command devices
--------	--

More

IPF Product Group	900 accessories
packaging dimensions	120 x 100 x 5 mm
gross weight	2 g
Customs tariff number	76169990
WEEE number	40951076
Reach-compliant	Yes
RoHS-compliant	Yes

Dimensional drawing



Installation

Mounting / installation may only be carried out by a qualified electrician!



Disposal

WEEE number according to § 6 para. 3
ElektroG: 40951076

Safety warnings

- / Before initial operation, please make sure to follow all safety instructions that may be provided in the product information.
- / Never use these devices in applications where the safety of a person depends on their functionality.