

AM000107

Accessories • Magnets

Accessories, magnetic, Ø5mm 2high, Delta SMCO



Mechanical features

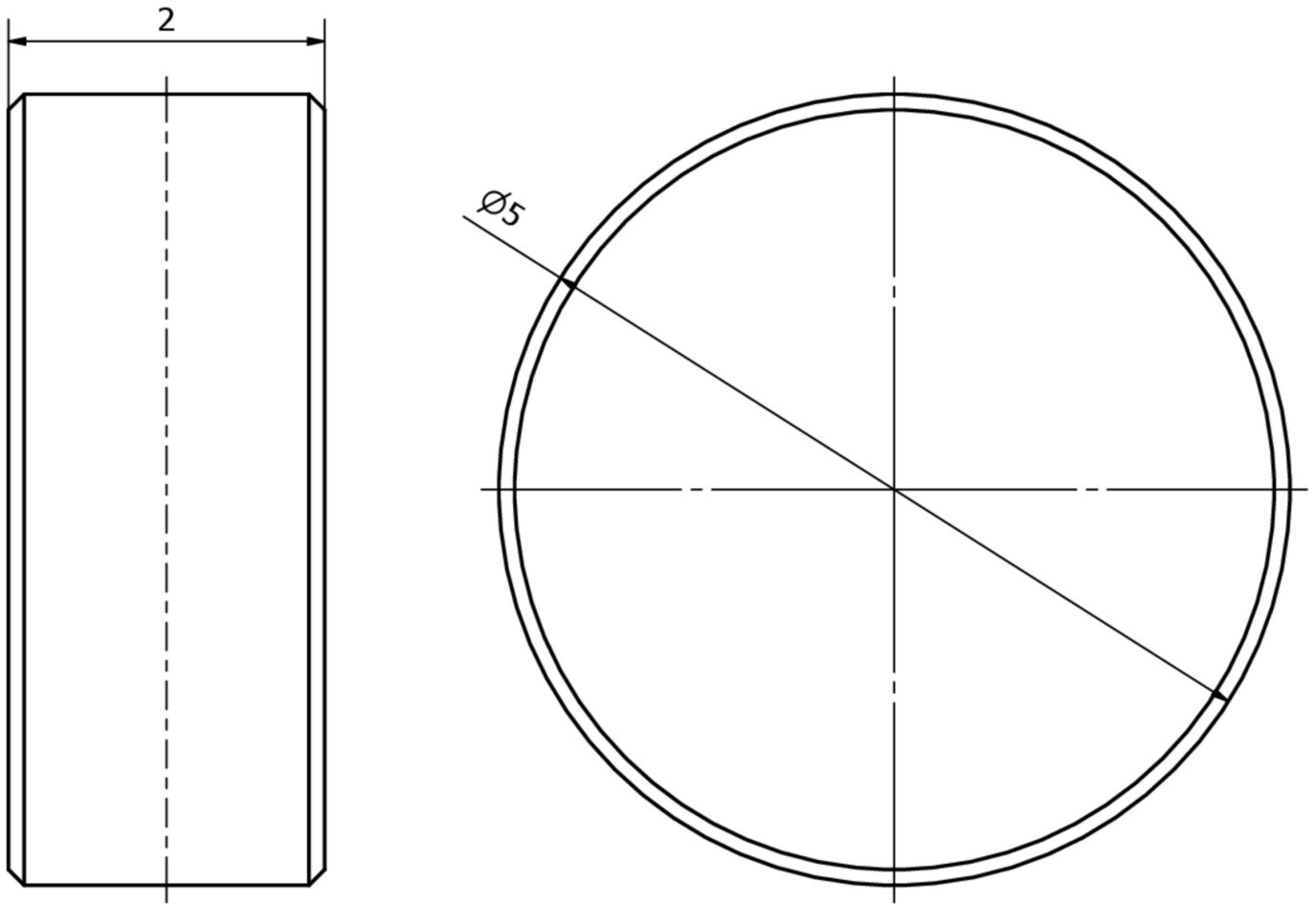
Design	Round
Diameter	5 mm
Height	2 mm
Magnet material	Delta SMCO

Classification

ETIM 8	EC001769 Holding magnet for door hold-open system
--------	---

More

IPF Product Group	900 accessories
packaging dimensions	100 x 70 x 2 mm
gross weight	32 g
Customs tariff number	85051110
WEEE number	40951076
Reach-compliant	Yes
RoHS-compliant	Yes

Dimensional drawing**Installation**

Mounting / installation may only be carried out by a qualified electrician!

**Disposal**

WEEE number according to § 6 para. 3
ElektroG: 40951076

Safety warnings

- / Before initial operation, please make sure to follow all safety instructions that may be provided in the product information.
- / Never use these devices in applications where the safety of a person depends on their functionality.
- / Very strong permanent magnets, fragile. Risk of injury during handling due to high attractive force. Risk of breakage if improperly unpacked. Keep away from pacemakers, magnetic data memories, electrical and electronic devices.