

AM000123

Accessories • Magnets

Accessories, magnetic, Ø20mm 10long, strontium ferrite, internal hole Ø4.3mm, max. 130°C



Electrical features

Internal hole diameter	4.3 mm
------------------------	--------

Mechanical features

Design	Round
Diameter	20 mm
Length	10 mm
Mounting method	Screw mounting
Ambient temperature	0 - 130 °C
Magnet material	Strontium-ferrite
ardSOCA_Abmessungen	

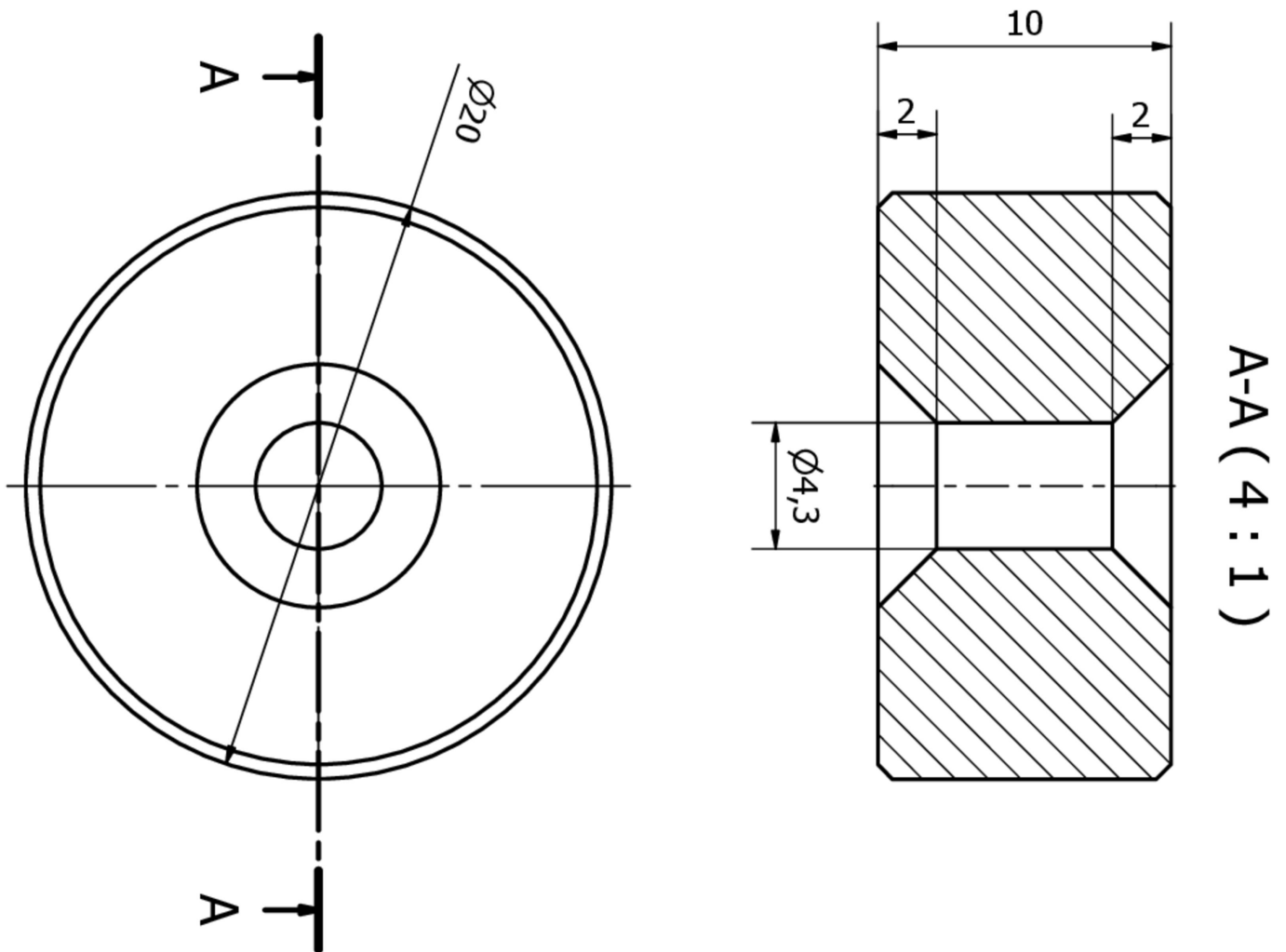
Classification

ETIM 8	
--------	--

More

IPF Product Group	900 accessories
packaging dimensions	110 x 80 x 20 mm
gross weight	18 g
Customs tariff number	85051910
WEEE number	40951076
Reach-compliant	Yes
RoHS-compliant	Yes

Dimensional drawing



Installation

Mounting / installation may only be carried out by a qualified electrician!



Disposal

WEEE number according to § 6 para. 3
ElektroG: 40951076

Safety warnings

- / Before initial operation, please make sure to follow all safety instructions that may be provided in the product information.
- / Never use these devices in applications where the safety of a person depends on their functionality.
- / Very strong permanent magnets, fragile. Risk of injury during handling due to high attractive force. Risk of breakage if improperly unpacked. Keep away from pacemakers, magnetic data memories, electrical and electronic devices.