

AO000014

Accessories • Reflectors and reflective film

accessories optical, reflector, 7x65x31mm, Screw hole, 2x \varnothing 4.5mm, IP67, PMMA+PMMA, Polarized



In order to operate a retro-reflective sensor with polarizing filter, the use of reflectors with prismatic mirrors is absolutely necessary. All our reflectors fulfill this condition. The special feature of this system lies in the polarizing filters located in front of the transmitter and receiver. The transmitter emits a polarized electromagnetic wave, which is rotated 90° by the prismatic mirrors in the oscillation axis and reflected back again. The receiving optical system with polarizing filter is only transmissive for waves that are turned by 90°. Thus, even the detection of high-glossy objects is possible, since the light directly reflected from the object is not evaluated. Special reflectors for laser sensors are available. The honeycomb structure of these reflectors is significantly finer than with conventional ones. For outdoor use, we offer reflectors with integrated heating, which prevents fogging. For tight spaces, self-adhesive reflected film in various widths is available by the metre.

Electrical features

Polarized	Yes
-----------	-----

Mechanical features

Design	Rectangular
Bore diameter	4.5 mm
Width	31 mm
Height	7 mm
Length	65 mm
Mounting method	Screw mounting
Degree of protection (IP)	IP67
Material	Plastic (PMMA)
Active area material of sensor	Plastic (PMMA)
UV-resistant	Yes
Ambient temperature	-25 - 70 °C

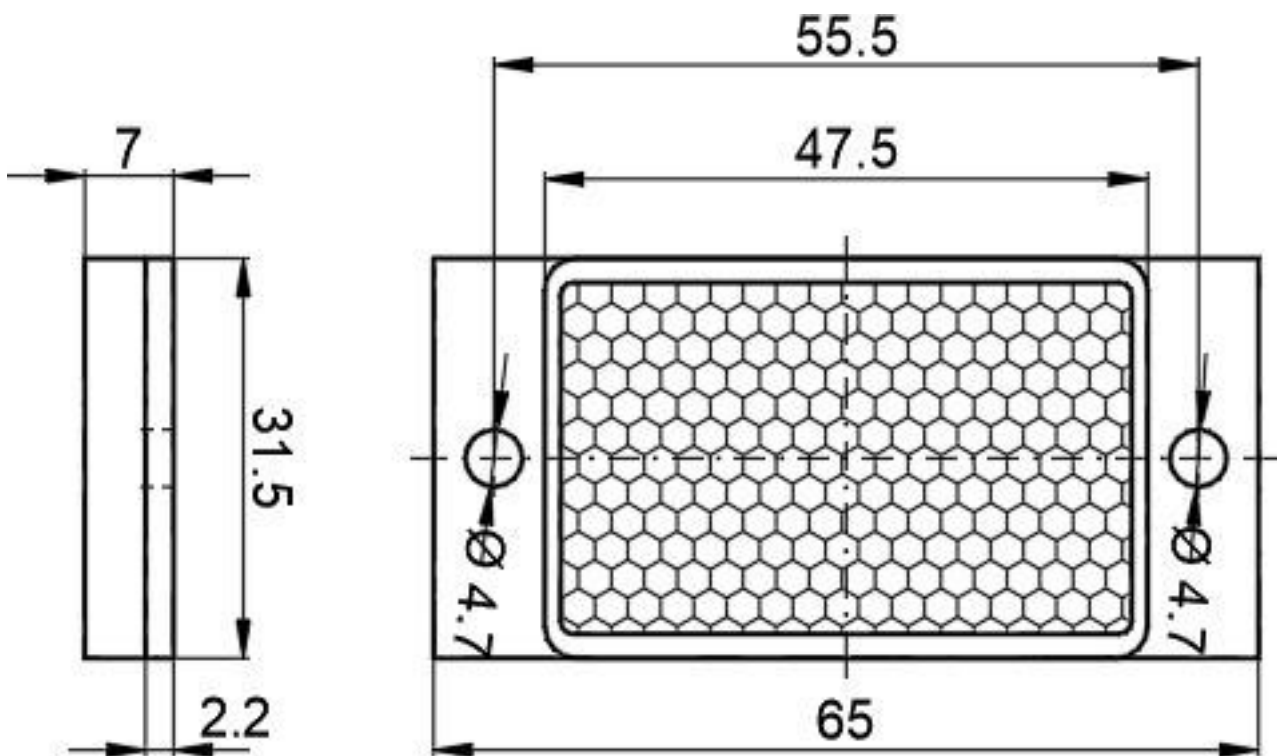
Classification

ETIM 8	EC002467 Reflector for light barrier
--------	--------------------------------------

More

IPF Product Group	900 accessories
packaging dimensions	120 x 100 x 9 mm
gross weight	10 g
Customs tariff number	39269097
WEEE number	40951076
OzDS-compliant	Yes
POP-compliant	Yes
Reach-compliant	Yes
RoHS-compliant	Yes

Dimensional drawing



Installation

Mounting / installation may only be carried out by a qualified electrician!



Disposal

WEEE number according to § 6 para. 3
ElektroG: 40951076

Safety warnings

- / Before initial operation, please make sure to follow all safety instructions that may be provided in the product information.
- / Never use these devices in applications where the safety of a person depends on their functionality.