

# AO000038

## Accessories • Mounting

accessories optical, Mounting angle bracket, M5x0.5 29long, Mounting material for sensor, brackets, Steel, 90°

including Nut, Screw



### Mechanical features

Width	78 mm
Diameter of screw-on mounting	6.5
Height	88 mm
Length	29 mm
Mounting method	Screw mounting
Surface	Varnished
Material	Steel

### Other features

Version	Angular
---------	---------

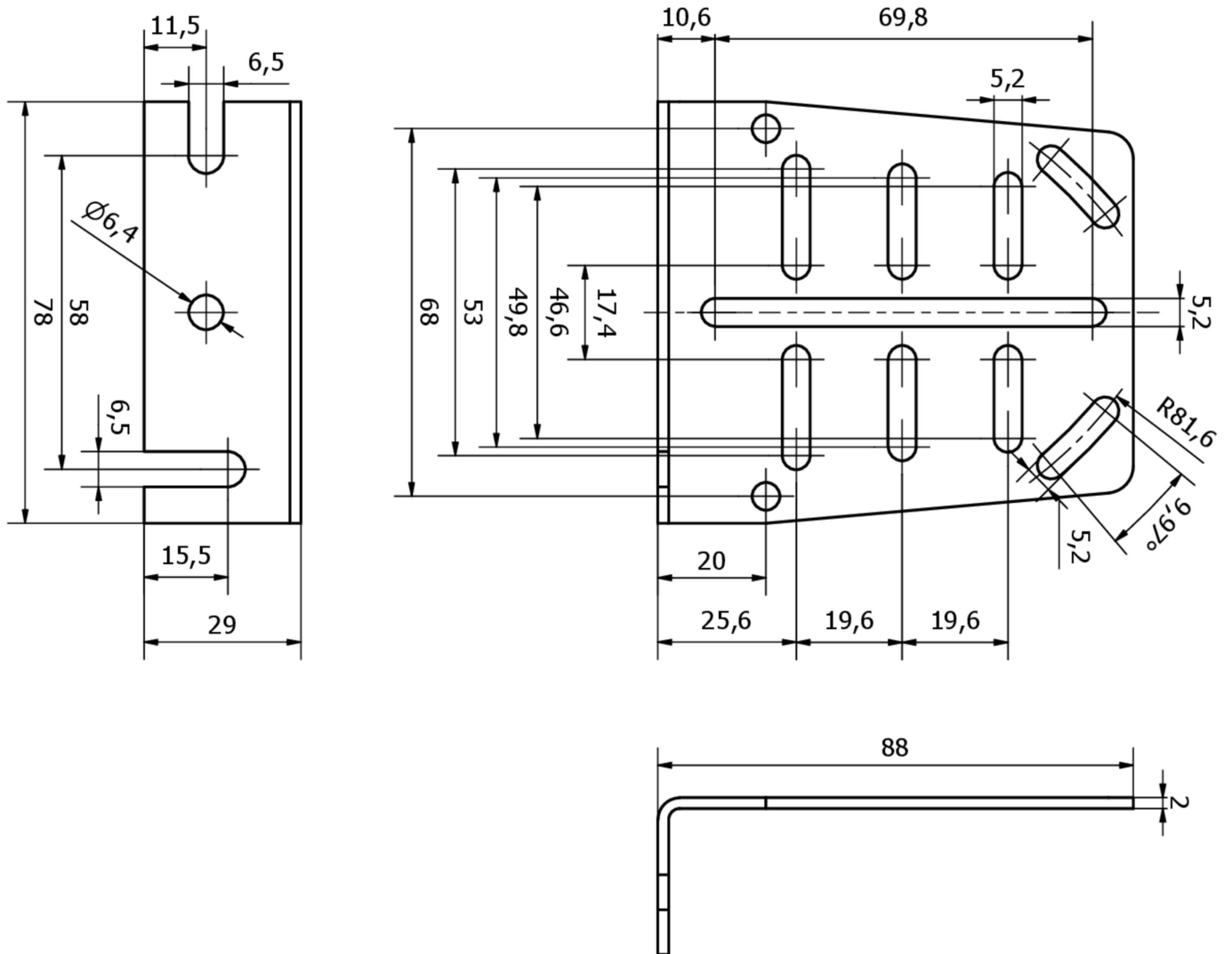
### Classification

ETIM 8	EC002625 Mounting accessories (control cabinet)
--------	---

### More

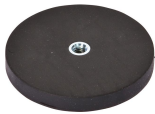
IPF Product Group	900 accessories
packaging dimensions	175 x 100 x 30 mm
gross weight	124 g
Customs tariff number	73269098
WEEE number	40951076
OzDS-compliant	Yes
POP-compliant	Yes
Reach-compliant	Yes
RoHS-compliant	Yes

**Dimensional drawing**



**Extract accessories program**

**AY000129**



Accessories, magnetic,  $\varnothing 66$ mm, neodymium-iron-boron, inside thread M6, rubber

**AY000144**



accessories sensor, Adapter plate, 3x30x85mm, Stainless steel 1.4305

You can find further accessories on our homepage



**Installation**

Mounting / installation may only be carried out by a qualified electrician!



**Disposal**

WEEE number according to § 6 para. 3 ElektroG: 40951076

---

**Safety warnings**

- / Before initial operation, please make sure to follow all safety instructions that may be provided in the product information.
- / Never use these devices in applications where the safety of a person depends on their functionality.