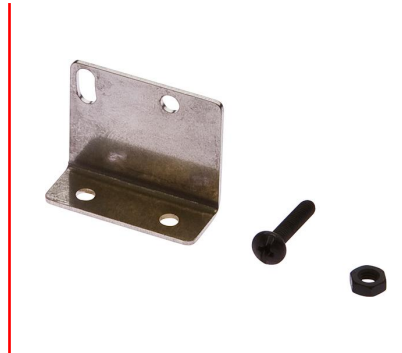


A000073

Accessories • Optical sensors - Assembly

accessories optical, Mounting angle bracket, 22x11x27mm, Mounting material for sensor, brackets, Steel

including Nut, Screw



Mechanical features

Width	27 mm
Diameter of screw-on mounting	3.2
Height	22 mm
Length	11 mm
Mounting method	Screw mounting
Material	Steel

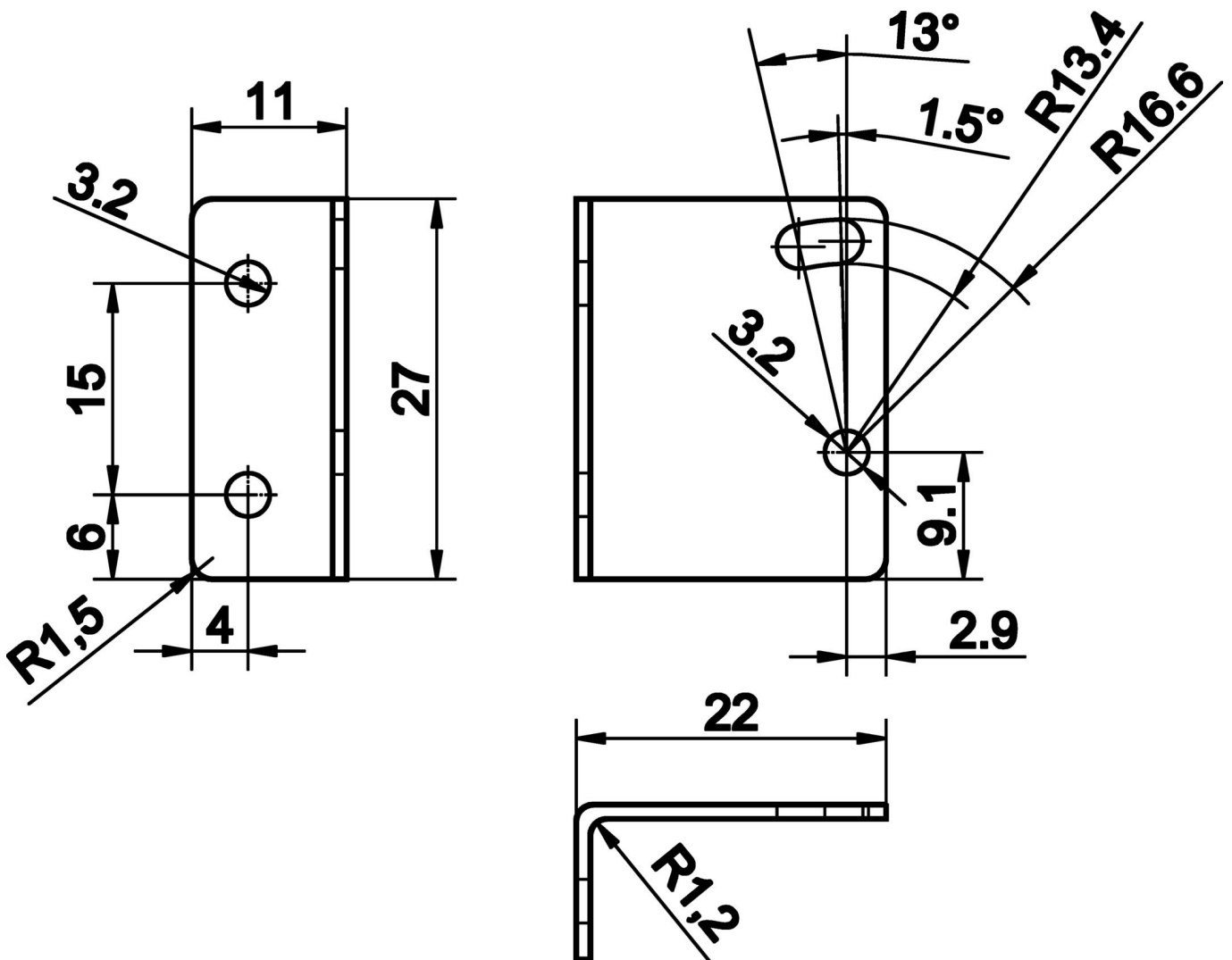
Classification

ETIM 8	EC002625 Mounting accessories (control cabinet)
--------	---

More

IPF Product Group	900 accessories
packaging dimensions	120 x 100 x 2 mm
gross weight	9 g
Customs tariff number	73269098
WEEE number	40951076
OzDS-compliant	Yes
POP-compliant	Yes
Reach-compliant	Yes
RoHS-compliant	Yes

Dimensional drawing



Installation

Mounting / installation may only be carried out by a qualified electrician!



Disposal

WEEE number according to § 6 para. 3
ElektroG: 40951076

Safety warnings

/ Before initial operation, please make sure to follow all safety instructions that may be provided in the product information.

/ Never use these devices in applications where the safety of a person depends on their functionality.