

AO000075

Accessories • Optical sensors - Assembly

accessories optical, Mounting angle bracket, M3x0.5 12long, Mounting material for sensor, brackets, Steel

including Adapter, Nut, Washer



Mechanical features

Width	16 mm
Diameter of screw-on mounting	3.2
Thread pitch	0.5 mm
Height	34 mm
Length	12.5 mm
Mounting method	Screw mounting
Surface	Galvanized
Material	Steel
Thread dimension	M3

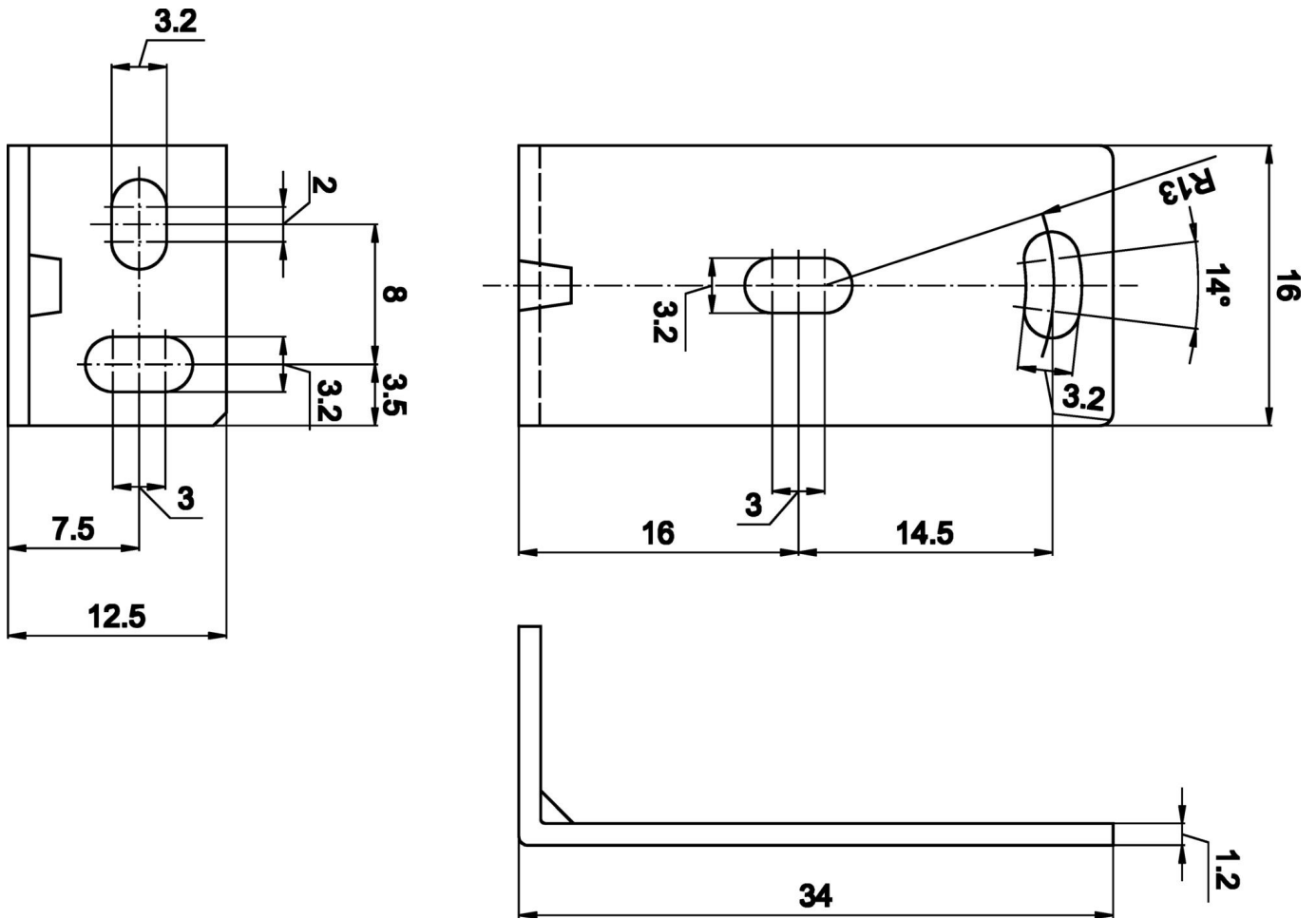
Classification

ETIM 8	EC002625 Mounting accessories (control cabinet)
--------	---

More

IPF Product Group	900 accessories
packaging dimensions	120 x 100 x 9 mm
gross weight	10 g
Customs tariff number	73269098
WEEE number	40951076
OzDS-compliant	Yes
POP-compliant	Yes
Reach-compliant	Yes
RoHS-compliant	Yes

Dimensional drawing



Installation

Mounting / installation may only be carried out by a qualified electrician!



Disposal

WEEE number according to § 6 para. 3
ElektroG: 40951076

Safety warnings

- / Before initial operation, please make sure to follow all safety instructions that may be provided in the product information.
- / Never use these devices in applications where the safety of a person depends on their functionality.