

# A0000076

## Accessories • Optical sensors - Assembly

accessories optical, Mounting angle bracket, M3x0.5 13long, Mounting material for sensor, brackets, Steel

including Adapter, Nut, Washer



### Mechanical features

Width	23 mm
Diameter of screw-on mounting	3.2
Thread pitch	0.5 mm
Height	17 mm
Length	13 mm
Mounting method	Screw mounting
Surface	Galvanized
Material	Steel
Thread dimension	M3

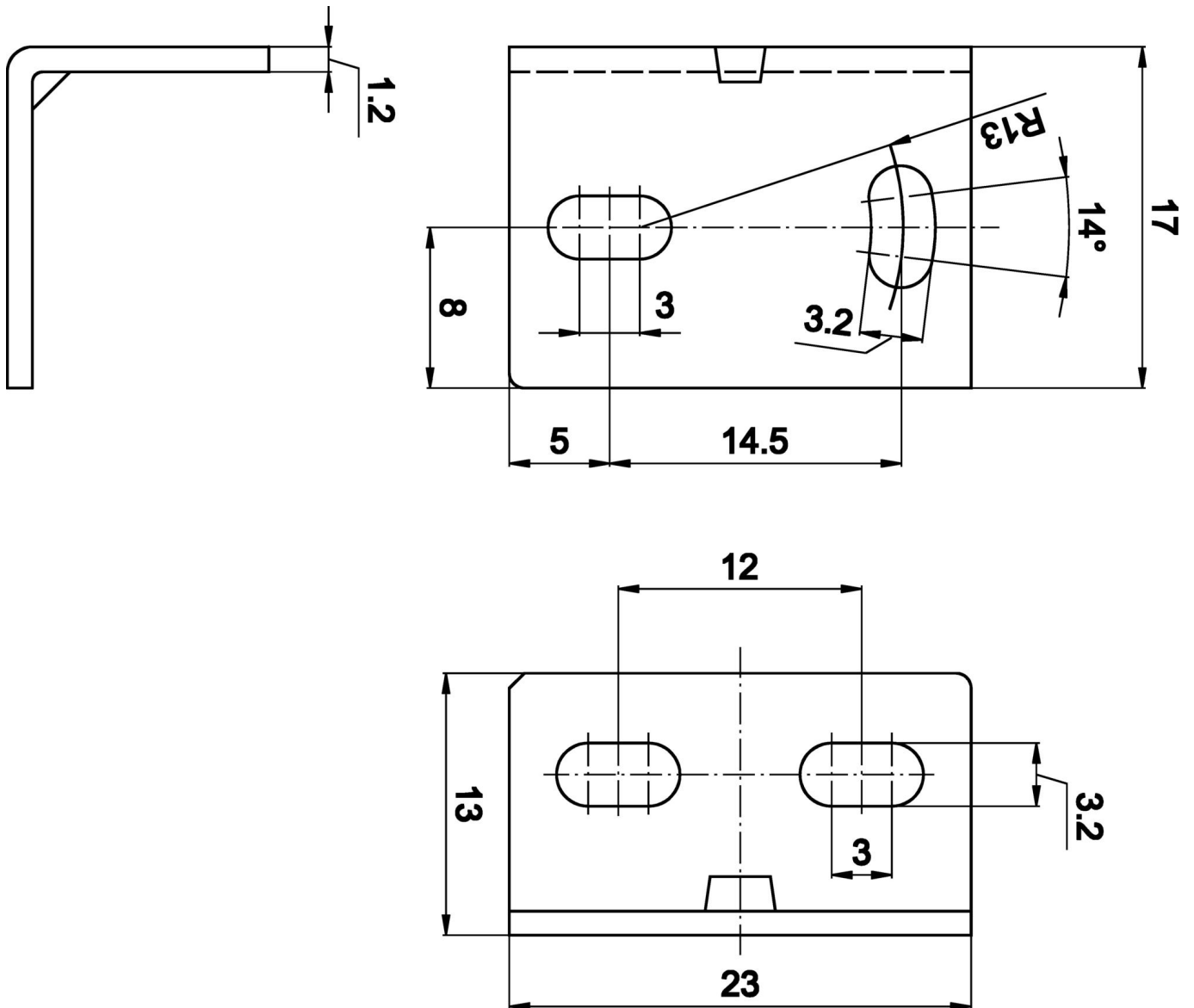
### Classification

ETIM 8	EC002625 Mounting accessories (control cabinet)
--------	---

### More

IPF Product Group	900 accessories
packaging dimensions	100 x 70 x 20 mm
gross weight	10 g
Customs tariff number	73269098
WEEE number	40951076
OzDS-compliant	Yes
POP-compliant	Yes
Reach-compliant	Yes
RoHS-compliant	Yes

**Dimensional drawing**



**Installation**

Mounting / installation may only be carried out by a qualified electrician!



**Disposal**

WEEE number according to § 6 para. 3  
ElektroG: 40951076

**Safety warnings**

- /** Before initial operation, please make sure to follow all safety instructions that may be provided in the product information.
- /** Never use these devices in applications where the safety of a person depends on their functionality.