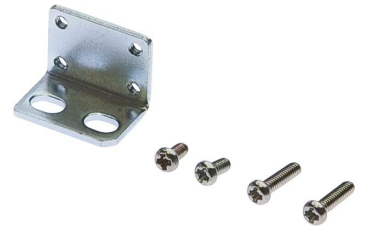


# AO000078

## Accessories • Optical sensors - Assembly

accessories optical, Mounting angle bracket, M2x0.4 10long, Mounting material for sensor, brackets, Steel

including Screw



### Mechanical features

Width	15 mm
Diameter of screw-on mounting	3.2
Thread pitch	0.4 mm
Height	12 mm
Length	10.5 mm
Mounting method	Screw mounting
Surface	Galvanized
Material	Steel
Thread dimension	M2

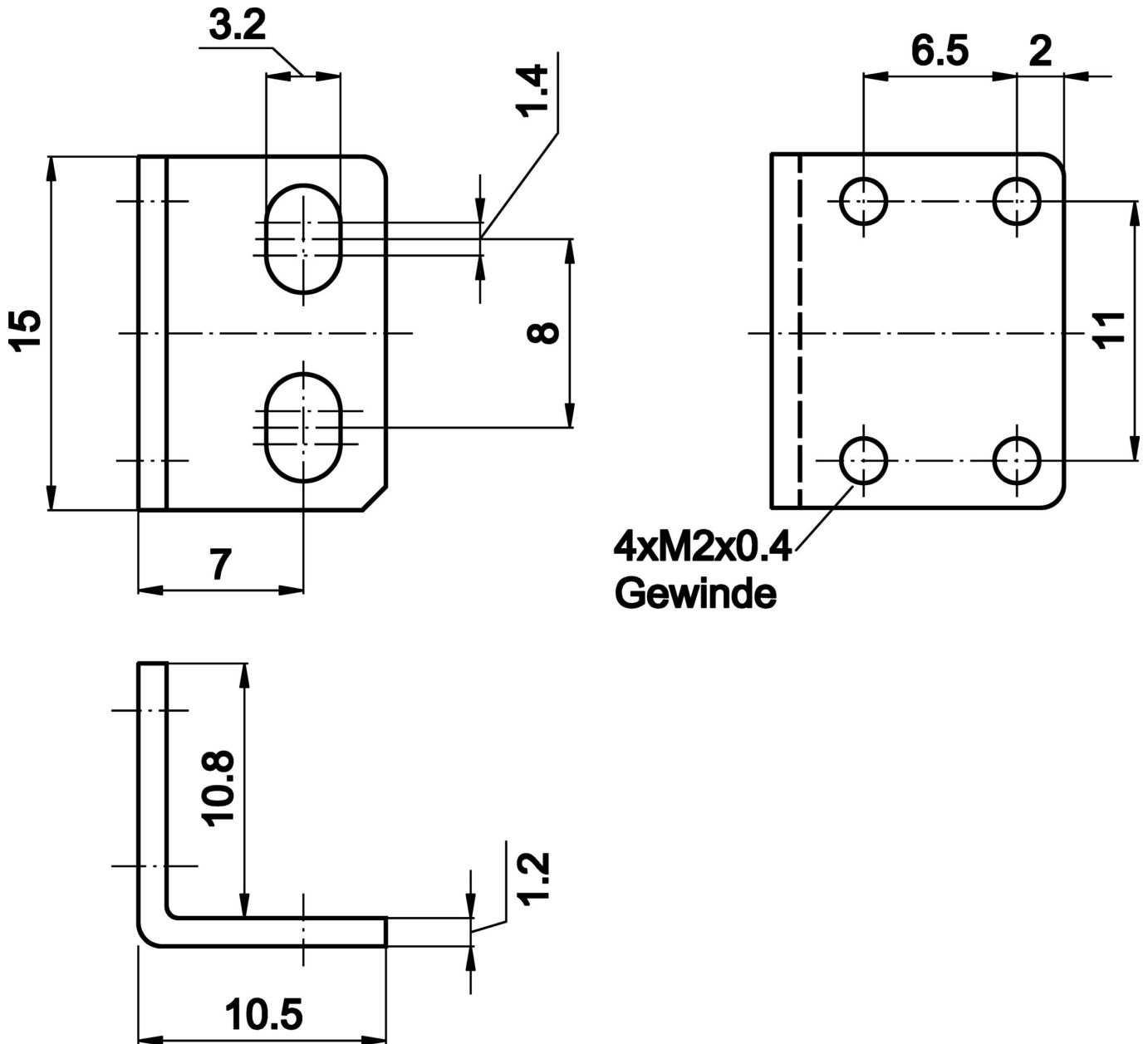
### Classification

ETIM 8	EC002625 Mounting accessories (control cabinet)
--------	---

### More

IPF Product Group	900 accessories
packaging dimensions	120 x 70 x 80 mm
gross weight	4 g
Customs tariff number	73269098
WEEE number	40951076
OzDS-compliant	Yes
POP-compliant	Yes
Reach-compliant	Yes
RoHS-compliant	Yes

**Dimensional drawing**



**Installation**

Mounting / installation may only be carried out by a qualified electrician!



**Disposal**

WEEE number according to § 6 para. 3  
ElektroG: 40951076

**Safety warnings**

/ Before initial operation, please make sure to follow all safety instructions that may be provided in the product information.

/ Never use these devices in applications where the safety of a person depends on their functionality.